

 **Lovato**
electric

ENERGY AND AUTOMATION



**SWITCH TO LOVATO AND
POWER UP YOUR PERFORMANCE**

SWITCH DISCONNECTOR RANGE



OUR HERITAGE

For over 100 years, LOVATO Electric has been designing and manufacturing low voltage electrical devices for industrial applications.

The wide range of products is designed, industrialised, tested and built by LOVATO Electric. A team of designers and researchers develops innovative and reliable products using the most modern software tools available and an internal

test laboratory (accredited in accordance with EN ISO/IEC 17025) carries out tests according to national and international standards.

The successes collected over time have allowed the company to open 15 international subsidiaries and a network of over 90 importers that today guarantee the availability of LOVATO Electric products in over 100 countries in the world.

POWER UP YOUR PERFORMANCE

Switch disconnectors are an essential part of any machine build, ensuring the safe isolation of power for maintenance, repair, or troubleshooting. The reliability of these units are critical to protect both people and machinery against the dangers of shocks or fires.

LOVATO ensure the highest standards of safety and reliability possible. The LOVATO range of switch disconnectors are tested for a mechanical life of up to 20000 cycles and are accredited by IEC/EN/BS for 160A to 1000A and cULus for 100A to 800A.

CONTENTS

Summary selection tables of combinations

Switch disconnectors and manual changeover switches: GA series	Page 4 - 5
Switch disconnectors and manual changeover switches: GL series	Page 6 - 7
Motorised changeover switches: GL series	Page 8 - 9

GA Series Switch Disconnectors and changeover combinations

GA series 16A to 160A switch disconnectors and accessories	Page 10 - 18
GA Series 16A to 160A switch disconnectors in plastic enclosure	Page 19 - 23
GA Series 16A to 160A switch disconnectors in metal and stainless enclosure	Page 24 - 25

GL Series Switch Disconnectors and changeover combinations

GL series 100A to 1000A switch disconnectors and accessories	Page 26 - 33
GL series 100A to 1000A switch disconnectors in metal enclosure	Page 34 - 35

Switch disconnectors for photovoltaic applications

GA and GD Series Switch disconnectors for photovoltaic applications	Page 36 - 39
---	--------------

Dimensions

GA series 16A to 160A Switch disconnectors	Page 40 - 42
GL series 100A to 1000A Switch disconnectors	Page 43 - 51

Technical Characteristics

GA series 16A to 160A Switch disconnectors	Page 52 - 53
GL series 100A to 1000A Switch disconnectors	Page 54 - 59
GA and GD Series Switch disconnectors for photovoltaic applications	Page 60 - 61

Overview

Full product range overview	Page 62 - 63
-----------------------------	--------------



In addition to the GA and GL Series switch disconnectors featured in this catalogue please also refer to the General Catalogue for GE Series fused switches and GM Series of UL98 versions.

Switch disconnectors and manual changeover switches

GA series



Type		IEC conventional free air thermal current I _{th} AC21A (≤690V)	IEC rated operational current I _e			General purpose current (UL)	Max 3-phase horse-power rating (UL)	IEC reactive power for control of capacitors 400V [kvar]	Fourth pole	
Direct operating or door coupling	Door mounting		AC23A (400V)	AC23A (500V)	AC23A (690V)				Direct operating or door coupling	Door mounting
Order code	Order code	[A]	[A]	[A]	[A]	[A]	[HP/V]	[kvar]	Order code	Order code
IEC/EN/BS and UL60947-4-1 three-pole switch disconnectors GA series.										
GA016A	GA016C	16	16	16	16	16	5/240 10/480 10/600	7.5	GAX42040A GAX41040A	GAX42040C GAX41040C
GA025A	GA025C	25	25	25	25	25	7.5/240 15/480 20/600	10		
GA032A	GA032C	32	32	25	25	32	10/240 20/480 20/600	12.5		
GA040A	GA040C	40	40	25	25	40	15/240 20/480 25/600	15		
GA063SA	GA063SC	63	45	25	25	60	15/240 30/480 32/600	15	GAX42063SA	GAX42063SC
IEC/EN/BS and UL98 three-pole switch disconnectors GA series.										
GA030A	GA030C	30	30	30	30	30	10/240 20/480 30/600	12.5	GAX42063A GAX41125A	GAX42063C GAX41125C
GA063A	GA063C	63	63	63	47	60	20/240 40/480 40/600	25		
GA080A	GA080C	80	80	63	47	100	25/240 40/480 40/600	30	GAX42080A GAX41125A	GAX42080C GAX41125C
GA100A	GA100C	100	100	80	47	100	30/240 50/480 50/600	40	GAX42100A GAX41125A	GAX42100C GAX41125C
GA125A	GA125C	125	125	100	47	100	30/240 60/480 60/600	50	GAX42125A GAX41125A	GAX42125C GAX41125C
IEC/EN/BS three-pole switch disconnectors GA series.										
GA160A	GA160C	160	125	100	47	–	–	50	GAX42160A	GAX42160C
IEC/EN/BS three-pole manual changeover switches GA series.										
GA025ET6	–	25	25	25	25	–	–	–	GAX42040A GAX41040A	–
GA040ET6		40	40	25	25					
GA063SAET6		63	45	25	25					
GA080ET6		80	80	63	47					
GA125ET6		125	125	100	47					
GA160ET6	160	125	100	47				GAX42160A		
IEC/EN/BS four-pole manual changeover switches GA series.										
GA025ET8	–	25	25	25	25	–	–	–	Integrated fourth pole GAX42...	–
GA040ET8		40	40	25	25					
GA063SAET8		63	45	25	25					
GA080ET8		80	80	63	47					
GA125ET8		125	125	100	47					
GA160ET8		160	125	100	57					

① Only for GA...A..., GA016C...GA040C, GA063SC.

② Only for GA...A...
③ Only for GA030A..., GA063A...GA160A...

④ Only for GA016A...GA040A..., GA063SA..., GA016C...GA040C, GA063SC.



Neutral terminal		Earth/ground terminal		Direct operating handle (only for GA...C)		Door coupling handle (only for GA...A)		Shaft extensions for door coupling handles	Auxiliary contacts	Terminal covers
Direct operating or door coupling	Door mounting	Direct operating or door coupling	Door mounting	Black	Red/yellow	Black	Red/yellow			
Order code	Order code	Order code	Order code	Order code	Order code	Order code	Order code	Order code	Order code	Order code

GAX31A	GAX31C	GAX33A	GAX33C	GAX61B GAX62B GAX63B GAX63KB GAX631B GAX632B GAX64B GAX68B	GAX61 GAX62 GAX63 GAX63K GAX632 GAX64 GAX68	GAX61B GAX62B GAX63B GAX63KB GAX631B GAX632B GAX64B GAX68B	GAX61 GAX62 GAX63 GAX63K GAX632 GAX64 GAX68	GAX7055 GAX7070 GAX7090 GAX7150 GAX7200 GAX7300 GAX7400 GAX7500	GAX1011A GAX1020A GAX1110EA	GAX83 GAX81
--------	--------	--------	--------	---	---	---	---	--	-----------------------------------	----------------

GAX32A	GAX32C	GAX34A	GAX34C	GAX61B GAX62B GAX63Bⓐ GAX63KBⓐ GAX631Bⓐ GAX632Bⓐ GAX64Bⓐ GAX66NBⓐ GAX68Bⓐ	GAX61 GAX62 GAX63ⓐ GAX63Kⓐ GAX632ⓐ GAX64ⓐ GAX66Nⓐ GAX68ⓐ	GAX61B GAX62B GAX63Bⓐ GAX63KBⓐ GAX631Bⓐ GAX632Bⓐ GAX64Bⓐ GAX66NBⓐ GAX68Bⓐ	GAX61 GAX62 GAX63ⓐ GAX63Kⓐ GAX632ⓐ GAX64ⓐ GAX66Nⓐ GAX68ⓐ	GAX7055 GAX7070 GAX7090 GAX7150 GAX7200 GAX7300 GAX7400 GAX7500 GAX7150AN GAX7200AN GAX7300AN GAX7400AN GAX7500AN	GAX1011A GAX1020A GAX1210EA	GAX84 GAX82
--------	--------	--------	--------	---	---	---	---	---	-----------------------------------	----------------

GAX32A	GAX32C	GAX34A	GAX34C	GAX61B GAX62B GAX63B GAX63KB GAX631B GAX632B GAX64B GAX66NB GAX68B	GAX61 GAX62 GAX63 GAX63K GAX632 GAX64 GAX66N GAX68	GAX61B GAX62B GAX63B GAX63KB GAX631B GAX632B GAX64B GAX66NB GAX68B	GAX61 GAX62 GAX63 GAX63K GAX632 GAX64 GAX66N GAX68	GAX7055 GAX7070 GAX7090 GAX7150... GAX7200... GAX7300... GAX7400... GAX7500...	GAX1011A GAX1020A GAX1210EA	GAX84 GAX82
--------	--------	--------	--------	--	---	--	---	---	-----------------------------------	----------------

GAX31A	-	GAX33A	-	Built-in with mechanical interlock	-	GAX67B	-	GAX7055 GAX7070 GAX7090 GAX7150 GAX7200 GAX7300 GAX7400 GAX7500	GAX1011A GAX1020A GAX1110EA	GAX83 GAX81
GAX32A		GAX34A							GAX1011A GAX1020A GAX1110EA	GAX84 GAX82

GAX31A	-	GAX33A	-	Built-in with mechanical interlock	-	GAX67B	-	GAX7055 GAX7070 GAX7090 GAX7150 GAX7200 GAX7300 GAX7400 GAX7500	GAX1011A GAX1020A GAX1110EA	GAX83 GAX81
GAX32A		GAX34A							GAX1011A GAX1020A GAX1110EA	GAX84 GAX82

Switch disconnectors and manual changeover switches IEC/EN/BS GL series



IEC/EN/BS

Type	IEC conventional free air thermal current I _{th}	IEC rated operational current I _e		IEC reactive power for control of capacitors 400V	Fourth pole	Neutral terminal	Earth/ground terminal	Direct operating handle	
	AC21A (≤690V)	AC23A (≤400V)	AC23A (≤500V)					Black	Red/Yellow
Order code	[A]	[A]	[A]	[kvar]	Order code	Order code	Order code	Order code	Order code

IEC/EN/BS three-pole switch disconnectors.

GL0160C1	160	160	160	80	GLX420315	GLX300	GLX301	GLX61DB	GLX61D
GL0200C1	200	200	200	100					
GL0250C1	250	250	250	115					
GL0315C1	315	315	250	145					
GL0320C1	320	320	320	145	GLX420320	GLX302	GLX303	GLX62DB	GLX62D
GL0400C1	400	400	400	180	GLX420400				
GL0500C1	500	500	500	200	GLX420500				
GL0630C1	630	630	500	250	GLX420630				
GL0631C1	630	630	630	250	GLX420631	GLX304	GLX305	GLX63DB	GLX63D
GL0800C1	800	800	800	310	GLX420800				
GL1000C1	1000	1000	800	460	GLX421000	GLX306	GLX307		

new

IEC/EN/BS three-pole manual changeover switches.

GLC0160C1	160	160	160	-	-	-	-	GLX61DB	-
GLC0200C1	200	200	200						
GLC0250C1	250	250	250						
GLC0315C1	315	315	250						
GLC0320C1	320	320	320					GLX62DB	-
GLC0400C1	400	400	400						
GLC0500C1	500	500	500						
GLC0630C1	630	630	500						
GLC0631C1	630	630	630	-	-	-	GLX63DB	-	
GLC0800C1	800	800	800						
GLC1000C1	1000	1000	800						

new

IEC/EN/BS four-pole manual changeover switches.

GLC0160T4C1	160	160	160	-	-	-	-	GLX61DB	-
GLC0200T4C1	200	200	200						
GLC0250T4C1	250	250	250						
GLC0315T4C1	315	315	250						
GLC0320T4C1	320	320	320					GLX62DB	-
GLC0400T4C1	400	400	400						
GLC0500T4C1	500	500	500						
GLC0630T4C1	630	630	500						
GLC0631T4C1	630	630	630	-	-	-	GLX63DB	-	
GLC0800T4C1	800	800	800						
GLC1000T4C1	1000	1000	800						

new

- ① 1-piece set. 1 terminal connection for single cable:
 - Maximum conductor cross section: 120mm²/250kcmil;
 - Minimum conductor cross section: 16mm²/6AWG.
- ② 3-piece set. 3 terminals connection for single cable:
 - Maximum conductor cross section: 120mm²/250kcmil;
 - Minimum conductor cross section: 16mm²/6AWG.
- ③ 1-piece set. 1 terminal connection for single cable:
 - Maximum conductor cross section: 304mm²/600kcmil;
 - Minimum conductor cross section: 33.6mm²/2AWG.
- ④ 3-piece set. 3 terminals connection for single cable:
 - Maximum conductor cross section: 304mm²/600kcmil;
 - Minimum conductor cross section: 33.6mm²/2AWG.
- ⑤ 1-piece set. 1 terminal connection for double cables:
 - Maximum conductor cross section: 2x152mm²/2x300kcmil;
 - Minimum conductor cross section: 2x21.2mm²/2x4AWG.
- ⑥ 3-piece set. 3 terminals connection for double cables:
 - Maximum conductor cross section: 2x152mm²/2x300kcmil;
 - Minimum conductor cross section: 2x21.2mm²/2x4AWG.
- ⑦ 1-piece set. 1 terminals connection for double cables:
 - Maximum conductor cross section: 4x304mm²/4x600kcmil;
 - Minimum conductor cross section: 4x33.6mm²/4x2AWG.
- ⑧ 3-piece set. 3 terminals connection for double cables:
 - Maximum conductor cross section: 4x304mm²/4x600kcmil;
 - Minimum conductor cross section: 4x33.6mm²/4x2AWG.



Door coupling handle		Shaft extensions for door coupling handles			Shaft alignment ring	Auxiliary contacts	Terminal covers	Phase barriers	Terminal clamps	Bridging bars	Captive nuts	
Black	Red/yellow	Order code	Panel depth									Shaft section
Order code	Order code		Order code	min [mm/in]	min [mm/in]	□ [mm/in]	Order code	Order code	Order code	Order code	Order code	Order code
GLX61B	GLX61	GLX7150S10 GLX7200S10 GLX7300S10 GLX7400S10 GLX7500S10	124/ 4.88"	194/7.64" 244/9.61" 344/13.54" 444/17.48" 544/21.42"	10/0.4"	GLX00	GLX1001 (1NC) GLX1010EA (1EB)	GLX800 (3 pcs)	GLX900 (6 pcs)	GLX500Ⓞ GLX501Ⓞ	-	GLX550 (8 pcs)
GLX62B	GLX62	GLX7150S10 GLX7200S10 GLX7300S10 GLX7400S10 GLX7500S10	157/ 6.18"	227/8.94" 277/10.90" 377/14.84" 477/18.78" 577/22.72"				GLX802 (3 pcs) GLX803 (4 pcs)	GLX902 (6 pcs) GLX903 (8 pcs) Built-in	GLX502Ⓞ GLX503Ⓞ GLX504Ⓞ GLX505Ⓞ		GLX551 (8 pcs)
GLX63B	GLX63	GLX7150S12 GLX7200S12 GLX7300S12 GLX7400S12 GLX7500S12	212/ 8.34"	232/9.13" 282/11.10" 382/15.03" 482/18.97" 582/22.91"	12/0.47"			GLX804 (3 pcs) GLX805 (4 pcs)	GLX904 (6 pcs) GLX905 (8 pcs) Built-in	GLX506Ⓞ GLX507Ⓞ	-	GLX552 (8 pcs) GLX553 (8 pcs)
GLX61CB	-	GLX7150S10 GLX7200S10 GLX7300S10 GLX7400S10 GLX7500S10	220/ 8.66"	290/11.42" 340/13.38" 440/17.32" 540/21.26" 640/25.20"	10/0.4"	GLX00	GLX1001 (1NC) GLX1010EA (1EB)	GLX800 (3 pcs)	GLX900 (6 pcs)	GLX500Ⓞ GLX501Ⓞ	GLX201 (3 pcs) GLX202 (4 pcs)	GLX550 (8 pcs)
GLX62CB		GLX7150S10 GLX7200S10 GLX7300S10 GLX7400S10 GLX7500S10	267/ 10.51"	337/13.27" 387/15.24" 487/19.17" 587/23.11" 687/27.05"				GLX802 (3 pcs) GLX803 (4 pcs)	GLX902 (6 pcs) GLX903 (8 pcs) Built-in	GLX502Ⓞ GLX503Ⓞ GLX504Ⓞ GLX505Ⓞ	GLX206 (3 pcs) GLX207 (4 pcs)	GLX551 (8 pcs)
GLX63CB	-	GLX7150S12 GLX7200S12 GLX7300S12 GLX7400S12 GLX7500S12	308/ 12.12"	378/14.88" 428/16.85" 528/20.78" 628/24.72" 728/28.66"	12/0.47"			GLX804 (3 pcs) GLX805 (4 pcs)	GLX904 (6 pcs) GLX905 (8 pcs) Built-in	GLX506Ⓞ GLX507Ⓞ	GLX208 (3 pcs) GLX209 (4 pcs)	GLX552 (8 pcs) GLX553 (8 pcs)
GLX61CB	-	GLX7150S10 GLX7200S10 GLX7300S10 GLX7400S10 GLX7500S10	220/ 8.66"	290/11.42" 340/13.38" 440/17.32" 540/21.26" 640/25.20"	10/0.4"	GLX00	GLX1001 (1NC) GLX1010EA (1EB)	GLX800 (3 pcs)	GLX900 (6 pcs)	GLX500Ⓞ GLX501Ⓞ	GLX201 (3 pcs) GLX202 (4 pcs)	GLX550 (8 pcs)
GLX62CB		GLX7150S10 GLX7200S10 GLX7300S10 GLX7400S10 GLX7500S10	267/ 10.51"	337/13.27" 387/15.24" 487/19.17" 587/23.11" 687/27.05"				GLX802 (3 pcs) GLX803 (4 pcs)	GLX902 (6 pcs) GLX903 (8 pcs) Built-in	GLX502Ⓞ GLX503Ⓞ GLX504Ⓞ GLX505Ⓞ	GLX206 (3 pcs) GLX207 (4 pcs)	GLX551 (8 pcs)
GLX63CB	-	GLX7150S12 GLX7200S12 GLX7300S12 GLX7400S12 GLX7500S12	308/ 12.12"	378/14.88" 428/16.85" 528/20.78" 628/24.72" 728/28.66"	12/0.47"			GLX804 (3 pcs) GLX805 (4 pcs)	GLX904 (6 pcs) GLX905 (8 pcs) Built-in	GLX506Ⓞ GLX507Ⓞ	GLX208 (3 pcs) GLX209 (4 pcs)	GLX552 (8 pcs) GLX553 (8 pcs)

Motorised changeover switches GL series



IEC/EN/BS

Type	Rated motor auxiliary supply voltage	IEC conventional free air thermal current Ith	IEC rated operational current Ie			Direct operating handle (standard supplied)
		AC21A (≤690V)	AC23A (≤400V)	AC23A (≤500V)	Black	
Order code	[V]	[A]	[A]	[A]	[A]	Order code

IEC/EN/BS three-pole motorised changeover switches.



new

GLCMB0125D024	24VDC	125	125	125	GLX61DB
GLCMB0160D024		160	160	160	
GLCMB0200D024		200	200	200	
GLCMB0250D024		250	250	250	
GLCMB0315D024		315	315	250	
GLCMB0125E110	110...125VAC/DC	125	125	125	
GLCMB0160E110		160	160	160	
GLCMB0200E110		200	200	200	
GLCMB0250E110		250	250	250	
GLCMB0315E110		315	315	250	
GLCMB0125A230	208...277VAC	125	125	125	
GLCMB0160A230		160	160	160	
GLCMB0200A230		200	200	200	
GLCMB0250A230		250	250	250	
GLCMB0315A230		315	315	250	

IEC/EN/BS four-pole motorised changeover switches.



new

GLCMB0125T4D024	24VDC	125	125	125	GLX61DB
GLCMB0160T4D024		160	160	160	
GLCMB0200T4D024		200	200	200	
GLCMB0250T4D024		250	250	250	
GLCMB0315T4D024		315	315	250	
GLCMB0125T4E110	110...125VAC/DC	125	125	125	
GLCMB0160T4E110		160	160	160	
GLCMB0200T4E110		200	200	200	
GLCMB0250T4E110		250	250	250	
GLCMB0315T4E110		315	315	250	
GLCMB0125T4A230	208...277VAC	125	125	125	
GLCMB0160T4A230		160	160	160	
GLCMB0200T4A230		200	200	200	
GLCMB0250T4A230		250	250	250	
GLCMB0315T4A230		315	315	250	

cULus



new

Type	Rated motor auxiliary supply voltage	General purpose current	Max 3-phase horsepower rating			Direct operating handle (standard supplied)
		≤600V	240V	480V	600V	
Order code	[V]	[A]	[HP]	[HP]	[HP]	Order code

UL1008 three-pole motorised changeover switches.

GLCMB0100D024UL	24VDC	100	30	75	100	GLX61DB
GLCMB0200D024UL		200	75	150	200	
GLCMB0100E110UL	110...125VAC/DC	100	30	75	100	
GLCMB0200E110UL		200	75	150	200	
GLCMB0100A230UL	208...277VAC	100	30	75	100	
GLCMB0200A230UL		200	75	150	200	

UL1008 four-pole motorised changeover switches.



GLCMB0100T4D024UL	24VDC	100	30	75	100	GLX61DB
GLCMB0200T4D024UL		200	75	150	200	
GLCMB0100T4E110UL	110...125VAC/DC	100	30	75	100	
GLCMB0200T4E110UL		200	75	150	200	
GLCMB0100T4A230UL	208...277VAC	100	30	75	100	
GLCMB0200T4A230UL		200	75	150	200	

① 1-piece set. 1 terminal connection for single cable:
 – Maximum conductor cross section: 120mm²/250kcmil;
 – Minimum conductor cross section: 16mm²/6AWG.

② 3-piece set. 3 terminals connection for single cable:
 – Maximum conductor cross section: 120mm²/250kcmil;
 – Minimum conductor cross section: 16mm²/6AWG.

Switch disconnectors

Summary table of combinations



	Auxiliary contacts	Terminal covers	Phase barriers	Terminal clamps	Bridging bars	Captive nuts	Voltage sensing connector	Spare motor operator	Direct operating handle holder (standard supplied)
	Order code	Order code	Order code	Order code	Order code	Order code	Order code	Order code	Order code

	GLX1001 (1NC) GLX1010EA (1EB)	GLX800 (3 pcs) GLX801 (4 pcs)	GLX900 (6 pcs) GLX901 (8 pcs)	GLX500Ⓞ GLX501Ⓞ	GLX201 (3 pcs) GLX202 (4 pcs)	GLX550 (8 pcs)	GLXVS00 (6 pcs) GLXXS01 (8 pcs)	GLXM1D024 GLXM1E110 GLXM1A230	GLXHS1
--	----------------------------------	----------------------------------	----------------------------------	--------------------	----------------------------------	----------------	------------------------------------	---	--------

	GLX1001 (1NC) GLX1010EA (1EB)	GLX800 (3 pcs) GLX801 (4 pcs)	GLX900 (6 pcs) GLX901 (8 pcs)	GLX500Ⓞ GLX501Ⓞ	GLX201 (3 pcs) GLX202 (4 pcs)	GLX550 (8 pcs)	GLXVS00 (6 pcs) GLXXS01 (8 pcs)	GLXM1D024 GLXM1E110 GLXM1A230	GLXHS1
--	----------------------------------	----------------------------------	----------------------------------	--------------------	----------------------------------	----------------	------------------------------------	---	--------

	Auxiliary contacts	Terminal covers	Phase barriers	Terminal clamps	Bridging bars	Captive nuts	Voltage sensing connector	Spare motor operator	Direct operating handle holder (standard supplied)
	Order code	Order code	Order code	Order code	Order code	Order code	Order code	Order code	Order code

	GLX1001 (1NC) GLX1010EA (1EB)	GLX800 (3 pcs) GLX801 (4 pcs)	GLX900 (6 pcs) GLX901 (8 pcs)	GLX500Ⓞ GLX501Ⓞ	GLX201 (3 pcs) GLX202 (4 pcs)	GLX550 (8 pcs)	GLXVS00 (6 pcs) GLXXS01 (8 pcs)	GLXM1D024 GLXM1E110 GLXM1A230	GLXHS1
--	----------------------------------	----------------------------------	----------------------------------	--------------------	----------------------------------	----------------	------------------------------------	---	--------

	GLX1001 (1NC) GLX1010EA (1EB)	GLX800 (3 pcs) GLX801 (4 pcs)	GLX900 (6 pcs) GLX901 (8 pcs)	GLX500Ⓞ GLX501Ⓞ	GLX201 (3 pcs) GLX202 (4 pcs)	GLX550 (8 pcs)	GLXVS00 (6 pcs) GLXXS01 (8 pcs)	GLXM1D024 GLXM1E110 GLXM1A230	GLXHS1
--	----------------------------------	----------------------------------	----------------------------------	--------------------	----------------------------------	----------------	------------------------------------	---	--------

Three-pole switch disconnectors with direct operating handle and door coupling version



GA016A...
GA040A
GA063SA
GA030A
GA063A...
GA160A

Order code	IEC conventional free air thermal current Ith AC21A (≤690V)	IEC rated operational current Ie AC22A (≤690V) AC23A (≤400V)	Qty per pkg	Wt [kg]
	[A]	[A]	n°	[kg]

Direct operating version, complete with black handle. For door coupling version, separately purchase the handle and shaft extension (see pages 14-18 to 14-20). According to UL60947-4-1.

GA016A	16	16	1	0.146
GA025A	25	25	1	0.146
GA032A	32	32	1	0.146
GA040A	40	40	1	0.146
GA063SA	63	45	1	0.148

According to UL98.

GA030A	30	30	1	0.388
GA063A	63	63	1	0.388
GA080A	80	80	1	0.388
GA100A	100	100	1	0.388
GA125A	125	125	1	0.388

According to IEC/EN/BS.

GA160A	160	125	1	0.388
--------	-----	-----	---	-------

Direct operating version, complete with red/yellow handle. For door coupling version, separately purchase the handle and shaft extension (see pages 14-18 to 14-20). According to UL60947-4-1.

GA016ARY	16	16	1	0.146
GA025ARY	25	25	1	0.146
GA032ARY	32	32	1	0.146
GA040ARY	40	40	1	0.146
GA063SARY	63	45	1	0.148

According to UL98.

GA030ARY	30	30	1	0.388
GA063ARY	63	63	1	0.388
GA080ARY	80	80	1	0.388
GA100ARY	100	100	1	0.388
GA125ARY	125	125	1	0.388

According to IEC/EN/BS.

GA160ARY	160	125	1	0.388
----------	-----	-----	---	-------



GA0...ARY
GA063...ARY

Fourth pole add-on



GAX42...A
GAX41...A
GAX42063SA
GAX41063SA

Order code	IEC conventional free air thermal current Ith AC21A (≤690V)	IEC rated operational current Ie AC22A (≤690V) AC23A (≤400V)	Qty per pkg	Wt [kg]
	[A]	[A]	n°	[kg]

Simultaneous closing operation as switch disconnector poles. For GA...A... version.

GAX42040A①	40	40	1	0.045
GAX42063SA②	63	45	1	0.045
GAX42063A③	63	63	1	0.126
GAX42080A	80	80	1	0.126
GAX42100A	100	100	1	0.126
GAX42125A	125	125	1	0.126
GAX42160A	160	125	1	0.126

Early make closing operation with respect to switch disconnector poles. For GA...A... version.

GAX41040A④	40	40	1	0.046
GAX41063SA④	63	45	1	0.046
GAX41125A④	125	125	1	0.116

- ① Only for GA016A...GA040A...
- ② Only for GA063SA...
- ③ Only for GA030A... and GA063A...
- ④ Only for GA030A... and GA063A...GA125A...

General characteristics

- 16A to 160A
- Available versions:
 - Direct operating
 - Door coupling. Use switch disconnector with direct operating handle and separately purchase the handle and shaft extension for this version. See pages 14-18 to 14-20
- Version with Torx screw terminals available on request
- Compact and modular size
- Screw or 35mm DIN rail fixing
- Padlockable in 0 position with no extra accessory.

Operational characteristics

- Rated insulation voltage Ui: 1000V
- Rated impulse withstand Uimp: 8kV
- Electrical life in AC21A:
 - 100,000 cycles GA016...GA040..., GAX...40A
 - 15,000 cycles GA063SA..., GAX...063SA
 - 30,000 cycles GA030... and GA063...GA125..., GAX...063...125A
 - 1,500 cycles GA160A..., GAX42160A
- Mechanical life:
 - 100,000 cycles GA016...GA040A..., GA063SA..., GAX...40A, GAX...063SA
 - 30,000 cycles GA030... and GA063...GA160A..., GAX...063...125A, GAX42160A.

Certifications and compliance

Certifications obtained:

Type	cULus according to UL60947-4-1 / CSA C22.2 n°60947-4-1	cULus according to UL98 / CSA C22.2 n°4	EAC
GA016A...GA040A...	☐	—	☐
GA063SA...	☐	—	☐
GA030A... and GA063A...GA125A...	—	☐	☐
GA160A...-GAX42160A	—	—	☐
GAX41040A-GAX42040A	☐	—	☐
GAX41063SA-GAX42063SA	☐	—	☐
GAX41125A	—	☐	☐
GAX42063A...GAX42125A	—	☐	☐

☐ Certification obtained.

Compliant with standards: IEC/EN/BS 60947-3, IEC/EN/BS 60947-1, UL60947-4-1, UL98, CSA C22.2.

Strokes of GA...A... poles (main poles and add-on pole)

	Travel 0→1	0°	30°	60°	90°
GA016A...GA040A... - GA063SA... Main poles				60°	
GAX42040A - GAX42063SA Simultaneous closing fourth-pole add on				60°	
GAX41040A - GAX41063SA Early-make fourth-pole add on				55°	
GA063A...GA125A..., GA160A... Main poles				55°	
GAX42063A - GAX42125A, GAX42160A Simultaneous closing fourth-pole add on				55°	
GAX41125A Early-make fourth-pole add on				48°	
	OFF				ON

Three-pole switch disconnectors door mount version



GA016C...
GA040C
GA063SC

GA063C...
GA160C

Order code	IEC conventional free air thermal current I _{th} AC21A (≤690V)	IEC rated operational current I _e AC22A (≤690V) AC23A (≤400V)	Qty per pkg	Wt [kg]
	[A]	[A]	n°	[kg]

Door mount version, complete with shaft extension (purchase handle separately, see page 14-18 and 14-19).
According to UL60947-4-1.

GA016C	16	16	1	0.170
GA025C	25	25	1	0.170
GA032C	32	32	1	0.170
GA040C	40	40	1	0.170
According to IEC.				
GA063SC	63	40	1	0.170
According to UL98.				
GA030C	30	30	1	0.404
GA063C	63	63	1	0.404
GA080C	80	80	1	0.404
GA100C	100	100	1	0.404
GA125C	125	125	1	0.404
According to IEC.				
GA160C	160	125	1	0.404

Fourth pole add-on



GAX42040C
GAX41040C

Order code	IEC conventional free air thermal current I _{th} AC21A (≤690V)	IEC rated operational current I _e AC22A (≤690V) AC23A (≤400V)	Qty per pkg	Wt [kg]
	[A]	[A]	n°	[kg]

Simultaneous closing operation as switch disconnector poles. For GA...C version.

GAX42040C ^①	40	40	1	0.045
GAX42063SC	63	40	1	0.045
GAX42063C ^②	63	63	1	0.128
GAX42080C	80	80	1	0.128
GAX42100C	100	100	1	0.128
GAX42125C	125	125	1	0.128
GAX42160C	160	125	1	0.128

Early make closing operation with respect to switch disconnector poles. For GA...C version.

GAX41040C ^①	40	40	1	0.046
GAX41125C ^③	125	125	1	0.128

- ① For GA016C...GA040C only.
- ② For GA030C and GA063C only.
- ③ For GA030C and GA063C...GA125C only.

General characteristics

- 16A to 160A
- Available versions:
 - Door mount
- Compact and modular size.

Operational characteristics

- Rated insulation voltage U_i: 1000V
- Rated impulse withstand U_{imp}: 8kV
- Electrical life in AC21A:
 - 100,000 cycles GA016...GA040C, GAX...40C
 - 15,000 cycles GA063SC, GAX42063SC
 - 30,000 cycles GA030C and GA063...GA125C, GAX...063...125C
 - 1,500 cycles GA160C, GAX42160C
- Mechanical life:
 - 100,000 cycles GA016...GA040C..., GA063SC..., GAX...40C, GAX...063SC
 - 30,000 cycles GA030... and GA063...GA160C..., GAX...063...125C, GAX42160C.

Certifications and compliance

Certifications obtained:

Type	cULus according to UL60947-4-1 / CSA C22.2 n°60947-4-1	cULus according to UL98 / CSA C22.2 n°4	EAC
GA016C...GA040C	☐	—	☐
GA160C	—	—	☐
GAX41040C-GAX42040C	☐	—	☐
GAX42063SC	—	—	☐
GAX42063C...GAX42125C	—	☐	☐
GAX42160C	—	—	☐

☐ Certification obtained.

Compliant with standards: IEC/EN 60947-3, IEC/EN 60947-1, UL60947-4-1, UL98, CSA C22.2.

Strokes of GA...C poles (main poles and add-on pole)

	Travel 0 → 1	0°	30°	60°	90°
GA016C...GA040C - GA063SC Main poles				60°	
GAX42040C - GAX42063SC Simultaneous closing fourth-pole add on				60°	
GAX41040C Early-make fourth-pole add on				55°	
GA063C...GA160C Main poles				55°	
GAX42063C...GAX42160C Simultaneous closing fourth-pole add on				55°	
GAX41125C Early-make fourth-pole add on				48°	
	OFF				ON

Add-on blocks



GAX1011A
GAX1020A

GAX1011C



GAX1110EA
GAX1210EA



GAX3...A

GAX3...C



GAX50...



GAX60...

Order code	Characteristics	Qty	Wt
		n°	[kg]
Auxiliary contacts, simultaneous closing as poles of switch disconnector.			
GAX1011A	1NO + 1NC for GA...A..., and GA040D	1	0.030
GAX1020A	2NO for GA...A... and GA040D	1	0.030
GAX1011C	1NO + 1NC for GA...C	1	0.030
Auxiliary contacts, early-break operation with respect to poles of switch disconnector.			
GAX1110EA	1EB(NO) for GA016A... GA040A..., GA063SA... and GA040D	1	0.035
GAX1210EA	1EB(NO) for GA030A... and GA063A...GA160A...	1	0.035
Neutral terminal.			
GAX31A	For GA016A...GA040A..., GA063SA... and GA040D	1	0.040
GAX32A	For GA030A... and GA063A...GA160A...	1	0.110
GAX31C	For GA016C...GA040C and GA063SC	1	0.040
GAX32C	For GA030C and GA063C...GA160C	1	0.110
Earth/Ground terminal.			
GAX33A	For GA016A...GA040A, GA063SA and GA...D	1	0.040
GAX34A	For GA030A and GA063A...GA160A	1	0.110
GAX33C	For GA016C...GA040C and GA063SC	1	0.040
GAX34C	For GA030C and GA063C...GA160C	1	0.110
Mechanical interlock for line changeover (I-O-II).			
GAX5000	For GA016A...GA040A..., GA063SA..., GA040D and GAX67B; 5mm/0.2" ❶	1	0.050
GAX5001	For GA030A..., GA063A...GA160A... and GAX67B; 5mm/0.2" ❶	1	0.075
Mechanical coupling system for 6-8 pole switch disconnectors.			
GAX6000	For GA016A...GA040A..., GA063SA... and GA040D; 5mm/0.2" ❶	1	0.050
GAX6001	For GA030A... and GA063A...GA125A..., 7mm/0.3" ❷❸	1	0.075

- ❶ Use GAX7... shaft extensions.
- ❷ Use GAX66N... handles and GAX7...AN extensions for a door coupling version.
- ❸ Cannot be used with GA160A...

Strokes of GA poles (main poles with auxiliary contacts)

		Travel 0 → 1	0°	30°	60°	90°
GA016...GA040... - GA063S...						60°
Main poles						
GAX1011A - GAX1011C						60°
Auxiliary contacts (1NO+1NC)		NO				
GAX1020A		NC				
Auxiliary contacts (2NO)				40°		
GAX1110EA			Travel 0 → 1	60°		
Auxiliary contact (1EB - NO early-break with respect to main poles)					Travel 1 → 0	70°
GA030... and GA063...GA125..., GA160A						55°
Main poles						
GAX1011A - GAX1011C						45°
Auxiliary contacts (1NO+1NC)		NO				
GAX1020A		NC				
Auxiliary contacts (2NO)				25°		
GAX1210EA			Travel 0 → 1	55°		
Auxiliary contact (1EB NO early-break with respect to main poles)					Travel 1 → 0	65°
			OFF			ON

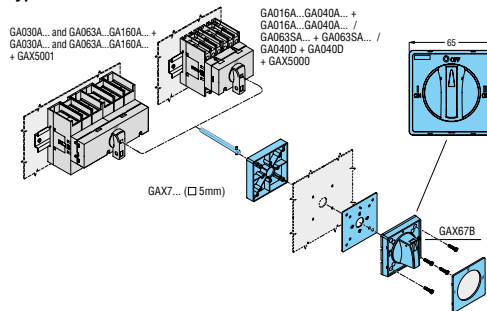
Operational characteristics of auxiliary contacts

- Conventional free air thermal current I_{th}: 10A
- UL/CSA and IEC/EN/BS 60947-5-1 designation: A600-Q600
- Tightening torque: 0.8Nm/7.1lb.in
- Electrical life in AC15: 100,000 cycles
- Mechanical life: 100,000 cycles.

Operational characteristics for other devices

- Tightening torque:
 - GAX31A/C-GAX33A/C terminals: 1.8...2Nm/16...18lb.in
 - GAX32A/C-GAX34A/C terminals: 5...6Nm/45...54lb.in
 - GAX5000/1-GAX6000/1 fixing: 0.5Nm/4.4lb.in; extension with handle: 0.8Nm/7.1lb.in.

Transformation of direct operating version into door coupling type:



Certifications and compliance

Certifications obtained:

Type	cULus according to UL 60947-4-1 / CSA C22.2 n°14	cULus according to UL98 / CSA C22.2 n°4	EAC
GAX1011A - GAX1011C	☐	☐	☐
GAX1110EA	☐	—	☐
GAX1210EA	—	☐	☐
GAX31A - GAX31C	☐	—	☐
GAX32A - GAX32C	—	☐	☐
GAX33A - GAX33C	☐	—	☐
GAX34A - GAX34C	—	☐	☐
GAX5000 - GAX6000	☐	—	☐
GAX5001 - GAX6001	—	☐	☐

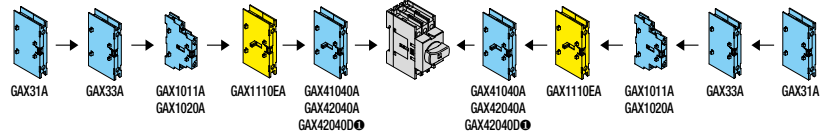
☐ Certification obtained.

Compliant with standards: IEC/EN/BS 60947-1, IEC/EN/BS 60947-3, IEC/EN/BS 60947-5-1, UL 60947-4-1, UL98, CSA C22.2.

Maximum combinations

GA016A...GA040A...GA040D

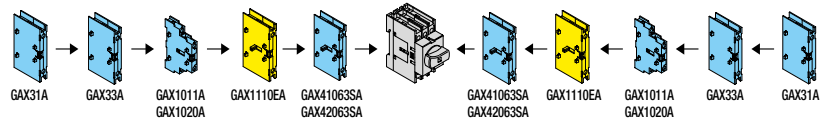
Sequence and maximum combination of add-on blocks on direct operating switch disconnectors.



1	1	1	—	1	GA016A... GA025A... GA032A... GA040A... GA040D	—	—	2	1	1
1	1	2	—	—		1	—	1	1	1
1	1	1	—	1		—	1	1	1	1
1	1	1	1	—		1	—	—	1	1
1	1	1	1	—		—	—	2	1	1
1	1	2	—	—		—	—	2	1	1
1	1	2	—	—		—	—	—	1	1
1	1	—	—	—		—	1	—	—	1
1	1	—	—	1		—	—	—	1	1
1	1	—	—	—		—	—	—	1	1

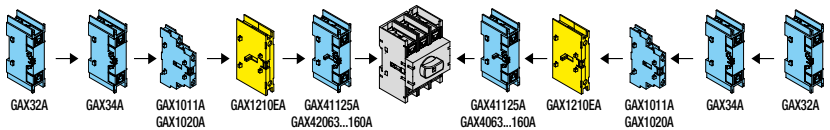
GA042040D can be used with GA040D switch only.

GA063SA...



1	1	1	—	1	GA063SA...	—	—	2	1	1
1	1	2	—	—		1	—	1	1	1
1	1	1	—	1		—	1	1	1	1
1	1	1	1	—		—	—	—	2	1
1	1	2	—	—		—	—	1	1	1
1	1	2	—	—		—	—	2	1	1
1	1	2	—	—		—	—	—	1	1
1	1	—	—	—		—	1	—	—	1
1	1	—	—	1		—	—	—	1	1
1	1	—	—	—		—	—	—	1	1

GA030A... and GA063A...GA160A...

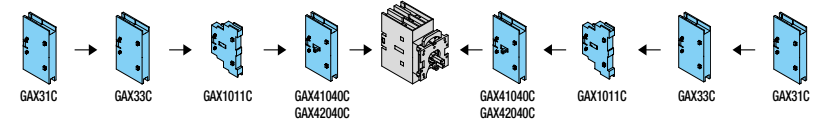


—	—	1	—	1	GA030A... GA063A... GA080A... GA100A... GA125A... GA160A...	—	—	2	—	—
—	—	2	—	—		1	—	1	—	—
—	—	1	—	1		—	1	1	—	—
—	—	1	1	—		—	1	—	—	—
—	—	1	1	—		—	—	2	—	—
—	—	2	—	—		—	—	1	1	—
—	—	2	—	—		—	—	—	2	—
1	1	—	—	—		—	1	—	—	1
1	1	—	—	1		—	—	—	1	1
1	1	—	—	—		—	—	—	1	1

GA160A... can be fitted with 1 single 4th pole (GAX42160A) on one side and an auxiliary contact on the other.

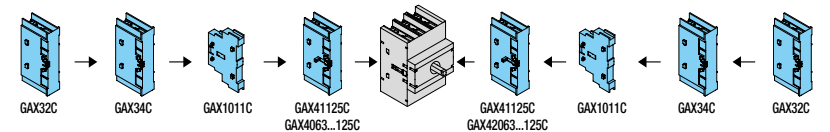
GA016C...GA040C

Sequence and maximum combination of add-on blocks on door mount switch disconnectors.



1	1	1	1	1	GA016C GA025C GA032C GA040C GA063C	—	1	1	1
1	1	1	—	—		1	1	1	1
1	1	—	—	1		—	1	1	1
1	1	1	—	—		—	1	—	1
1	1	1	—	—		—	—	1	1
1	1	—	—	—		—	—	—	1

GA030C and GA063C...GA125C

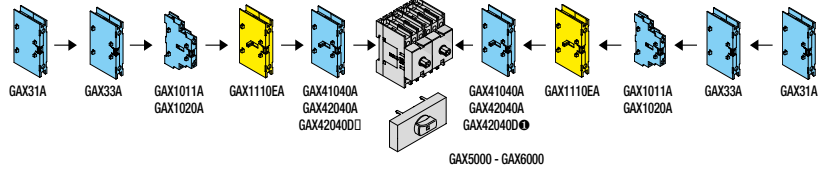


—	—	1	1	1	GA030C GA063C GA080C GA100C GA125C GA160C	—	1	—	—
—	—	1	—	—		1	1	—	—
1	1	—	—	1		—	—	1	—
—	—	1	—	—		—	—	1	1
—	—	1	—	—		—	—	1	—
1	1	—	—	—		—	—	—	1

Maximum combinations

GA016A...GA040A...
GA040D
+ GAX5000 -
GAX6000

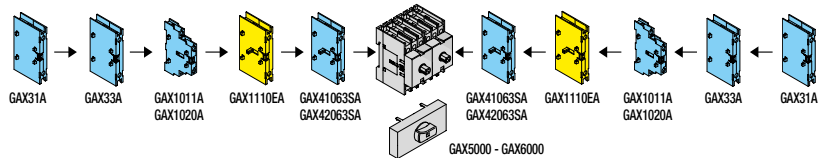
Sequence and maximum combination for mechanical coupling and mechanical interlock for line changeover.



1	1	1	—	1	GA016A ...+ GA016A ... GA025A... + GA025A... GA032A... + GA032A... GA040A... + GA040A... GA040D + GA040D ❶	1	—	1	1	1	
1	1	1	—	1		—	—	2	1	1	
1	1	2	—	—		1	—	1	1	1	
1	1	1	—	1		—	1	—	1	1	
1	1	1	1	—		—	—	—	2	1	1
1	1	2	—	—		—	—	1	1	1	1
1	1	2	—	—		—	—	—	2	1	1
1	1	—	—	1		—	1	—	—	1	1
1	1	—	—	—		—	—	—	—	1	1
1	1	—	—	—		—	—	—	—	1	1

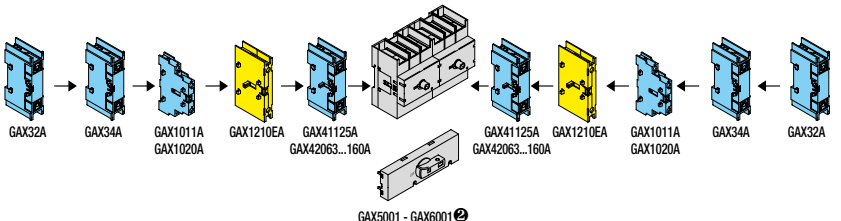
❶ GAX42040D can be used with GA040D switch only.

GA063SA...
+ GAX5000 -
GAX6000



1	1	1	—	1	GA063SA...+ GA063SA...	1	—	1	1	1	
1	1	1	—	1		—	—	2	1	1	
1	1	2	—	—		1	—	1	1	1	
1	1	1	—	1		—	1	—	1	1	
1	1	1	1	—		—	1	—	1	1	
1	1	1	1	—		—	—	—	2	1	1
1	1	2	—	—		—	—	1	1	1	1
1	1	2	—	—		—	—	—	2	1	1
1	1	—	—	1		—	1	—	—	1	1
1	1	—	—	—		—	—	—	—	1	1

GA030A...and
GA063A...GA160A...
+ GAX5001 -
GAX6001



—	—	1	—	1	GA030A... + GA030A... GA063A... + GA063A... GA080A... + GA080A... GA100A... + GA100A... GA125A... + GA125A... GA160A... + GA160A... ❷	1	—	1	—	—	
—	—	1	—	1		—	—	2	—	—	—
—	—	2	—	—		1	—	1	—	—	—
—	—	1	—	1		—	—	1	1	—	—
—	—	1	1	—		—	—	—	2	—	—
—	—	2	—	—		—	—	1	1	—	—
—	—	2	—	—		—	—	—	2	—	—
1	1	—	—	1		—	1	—	—	1	1
1	1	—	—	—		—	—	—	—	1	1
1	1	—	—	—		—	—	—	—	1	1

❶ GA160A... can be fitted with a single auxiliary contact (GAX1011A or GAX1020A) per side.

❷ Cannot be used with GA160A...

Handles



GAX61



GAX63



GAX66N



GAX68

- ① For GA...A..., GA040D and GD... switch disconnectors, separately purchase extension GAX7...
- ② Snap-on fixing of GA016C...GA040C and GA063SC switch disconnectors with the handle.
- ③ Separately purchase GAX7...AN shaft extension and GAX60B adaptor.

Order code	Characteristics	Qty per pkg	Wt [kg]
		n°	[kg]
DOOR COUPLING VERSION PADLOCKABLE, IP65 (TYPE 4X). Red/yellow.			
GAX61	For GA...A..., GA...C, GA040D and GD... Screw fixing. Handle with selector flush-mounted ①. □ 5mm/0.2"	1	0.073
GAX62	For GA...A..., GA...C, GA040D and GD... Screw fixing. Handle with selector protruding ①. □ 5mm/0.2"	1	0.072
GAX63	For GA...A..., GA016C...GA040C, GA063SC, GA040D and GD... Ring fixing. Handle with selector protruding ①②. □ 5mm/0.2"	1	0.068
GAX63K	For GA...A..., GA016C...GA040C, GA063SC, GA040D and GD... Ring fixing. Handle with selector protruding ①②. □ 5mm/0.2" IP69K	1	0.068
GAX632	For GA...A..., GA040D and GD... Ring fixing low profile. Handle with selector protruding. □ 5mm/0.2" ①	1	0.057
GAX64	For GA...A..., GA040D and GD... Ring fixing. Handle with selector protruding - defeatable (requirement UL508A)③. □ 5mm/0.2"	1	0.064
GAX66N	For GA030A..., GA063A...GA160A... and GAX6001. Screw fixing. Pistol handle - defeatable (req. UL 508A)③. □ 7mm/0.3"	1	0.140
GAX68	For GA016A...GA040A..., GA063SA, GA040D, GA016C...GA040C, GA063SC and GD... Screw fixing. Handle with selector lowered ①. □ 5mm/0.2"	1	0.060

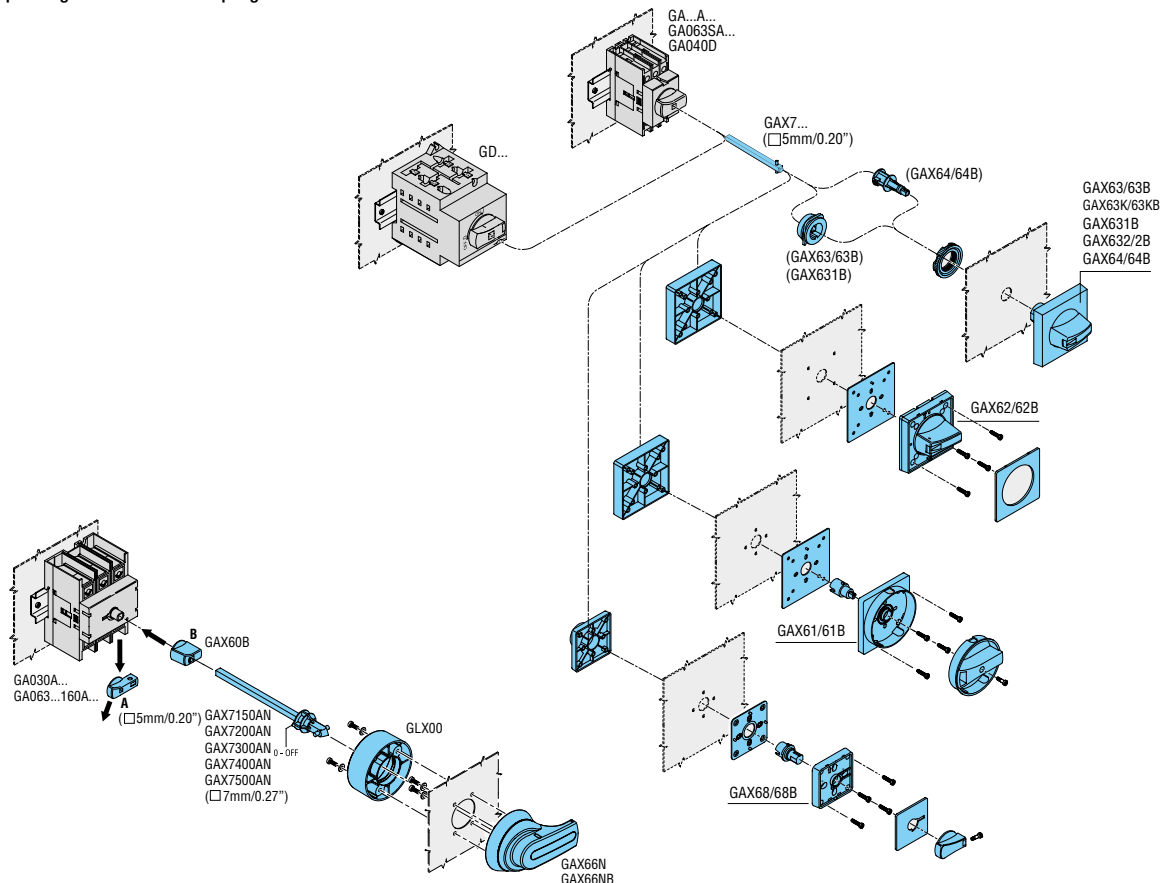
General and operational characteristics

- Choice of handle fixing: ring or screw
- Handle fixing centres:
 - GAX61/61B-GAX62/62B-GAX67B: 36x36mm/1.42x1.42" or 48x48mm/1.89x1.89"
 - GAX66N/66NB: 28x40mm/1.10x1.57"
 - GAX68/68B: 28x28mm/1.10x1.10" or 36x36mm/1.42x1.42"
 - Compatible with pre-existing drillings of most common types in the marketplace
- 1 to 3 padlocks in the Ø4...8mm/0.16...0.31" for all handles except:
 - GAX68 only 1 padlock in the Ø4...8mm/0.16...0.31"
 - GAX61 up to 3 padlocks in the Ø5...8mm/0.20...0.31"
- Front plate dimensions:
 - GAX61/61B-GAX62/62B-GAX63/63B-GAX64/64B-GAX67/67B: 65x65mm/2.56x2.56"
 - GAX66N/66NB: Ø76mm/2.99"
 - GAX68/68B: 48x48mm/1.89x1.89"
- Tightening torque:
 - Fixing ring types: 2.3Nm/20.4lb.in
 - GAX60B: 0.8Nm/7lb.in
 - GAX66N/66NB: 1.5Nm/13.3lb.in
 - All others: 0.8Nm/7lb.in
- Degree of protection for GAX63K/63KB and GAX66N/66NB: IP66, IP69K; for UL/CSA data see detail on page 14-20
- Degree of protection for all others handles: IP65.

Certifications and compliance

See the table on page 14-20.

From direct operating version to door coupling version.



Handles



GAX61B



GAX63...B



GAX632B



GAX67B

- ❶ For GA...A..., GA040D and GD... switch disconnectors, separately purchase extension GAX7...
- ❷ Snap-on fixing of GA016C...GA040C and GA063SC switch disconnectors with the handle.
- ❸ Separately purchase GAX7...AN shaft extension and GAX60B adaptor.

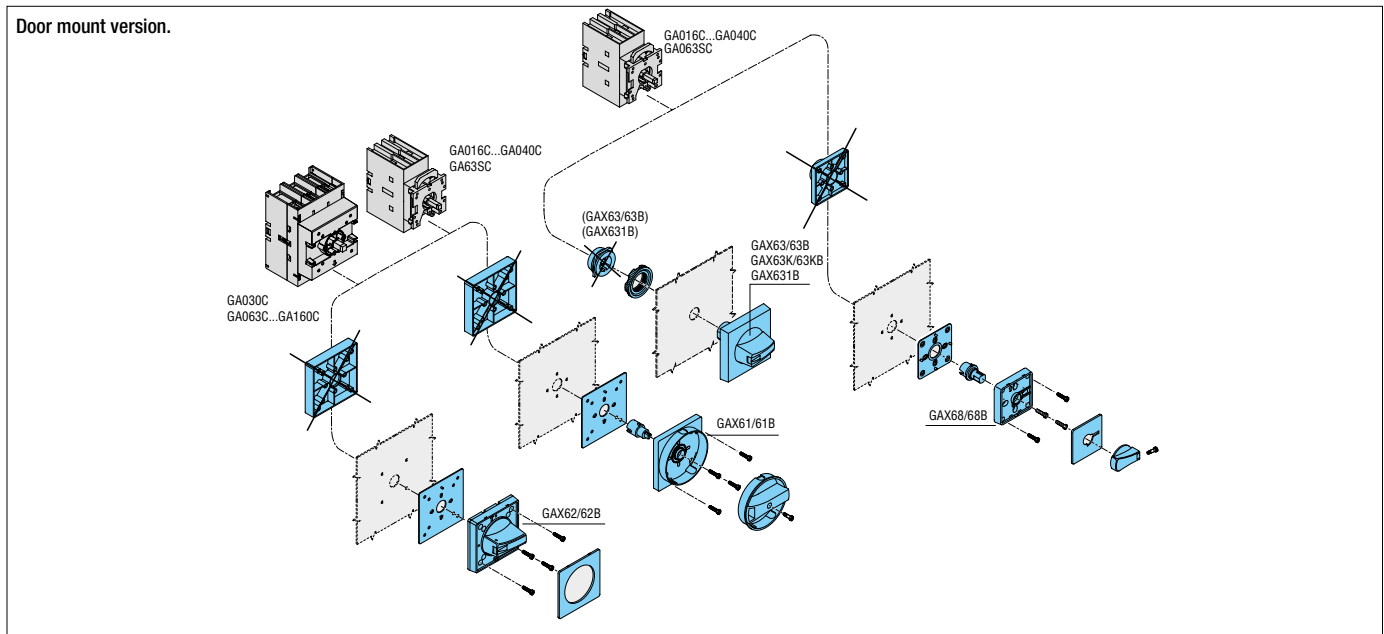
Order code	Characteristics	Qty per pkg	Wt
		n°	[kg]
DOOR COUPLING VERSION PADLOCKABLE, IP65 (TYPE 4X). Black.			
GAX61B	For GA...A..., GA...C, GA040D and GD... Screw fixing. Handle with selector flush-mounted ❶. □ 5mm/0.2"	1	0.073
GAX62B	For GA...A..., GA...C, GA040D and GD... Screw fixing. Handle with selector protruding ❶. □ 5mm/0.2"	1	0.072
GAX63B	For GA...A..., GA016C...GA040C, GA063SC, GA040D and GD... Ring fixing. Handle with selector protruding ❶❷. □ 5mm/0.2"	1	0.068
GAX63KB	For GA...A..., GA016C...GA040C, GA063SC, GA040D and GD... Ring fixing. Handle with selector protruding ❶❷. □ 5mm/0.2". IP69K	1	0.068
GAX631B	For GA...A..., GA016C...GA040C, GA063SC, GA040D and GD... Ring fixing. Handle with selector protruding padlockable in ON pos. (UNI 9490 and UNI EN 12845) ❶❷. □ 5mm/0.2"	1	0.074
GAX632B	For GA...A..., GA040D and GD... Ring fixing low profile. Handle with selector protruding. □ 5mm/0.2" ❶	1	0.057
GAX64B	For GA...A..., GA040D and GD... Ring fixing. Handle with selector protruding - defeatable (requir. UL508A) ❶. □ 5mm/0.2"	1	0.064
GAX66NB	For GA030A..., GA063A...GA160A... and GAX6001. Screw fixing. Pistol handle - defeatable (req. UL 508A) ❶. □ 7mm/0.3"	1	0.140
GAX67B	For mechanical interlock GAX50... (-I-0-II) ❶. □ 5mm/0.2"	1	0.078
GAX68B	For GA016A...GA040A..., GA063SA, GA040D, GA016C...GA040C, GA063SC and GD... Screw fixing. Handle with selector lowered ❶. □ 5mm/0.2"	1	0.060

General and operational characteristics

- Choice of handle fixing: ring or screw
- Handle fixing centres:
 - GAX61/61B-GAX62/62B-GAX67B: 36x36mm/1.42x1.42" or 48x48mm/1.89x1.89"
 - GAX66N/66NB: 28x40mm/1.10x1.57"
 - GAX68/68B: 28x28mm/1.10x1.10" or 36x36mm/1.42x1.42"
 - Compatible with pre-existing drillings of most common types in the marketplace
- 1 to 3 padlocks in the Ø4...8mm/0.16...0.31" for all handles except:
 - GAX68 only 1 padlock in the Ø4...8mm/0.16...0.31"
 - GAX61 up to 3 padlocks in the Ø5...8mm/0.20...0.31"
- Front plate dimensions:
 - GAX61/61B-GAX62/62B-GAX63/63B-GAX64/64B-GAX67/67B: 65x65mm/2.56x2.56"
 - GAX66N/66NB: Ø76mm/2.99"
 - GAX68/68B: 48x48mm/1.89x1.89"
- Tightening torque:
 - Fixing ring types: 2.3Nm/20.4lb.in
 - GAX60B: 0.8Nm/7lb.in
 - GAX66N/66NB: 1.5Nm/13.3lb.in
 - All others: 0.8Nm/7lb.in
- Degree of protection for GAX63K/63KB and GAX66N/66NB: IP66, IP69K; for UL/CSA data see detail on page 14-20
- Degree of protection for all others handles: IP65.

Certifications and compliance

See the table on page 14-20.



Shaft extensions Terminal covers Fuse holders



Order code	Characteristics	Qty per pkg	Wt
		n°	[kg]
Shaft extension for door coupling handles GAX61..., GAX62..., GAX63..., GAX64..., GAX68..., GAX67B, and mechanical interlock type GAX5000, GAX5001 and mechanical coupling GAX6000 ❶.			
GAX7055	55mm/2.16" long □ 5mm/0.2"	1	0.012
GAX7070	70mm/2.75" long □ 5mm/0.2"	1	0.014
GAX7090	90mm/3.54" long □ 5mm/0.2"	1	0.018
GAX7150	150mm/5.90" long □ 5mm/0.2"	1	0.032
GAX7200	200mm/7.87" long □ 5mm/0.2"	1	0.070
GAX7300	300mm/11.81" long □ 5mm/0.2"	1	0.068
GAX7400	400mm/15.75" long □ 5mm/0.2"	1	0.072
GAX7500	500mm/19.68" long □ 5mm/0.2"	1	0.090
Shaft extension for door coupling handles GAX66N, GAX66NB and mechanical coupling system GAX6001.			
GAX7150AN	150mm/5.90" long □ 7mm/0.3"	1	0.090
GAX7200AN	200mm/7.87" long □ 7mm/0.3"	1	0.112
GAX7300AN	300mm/11.81" long □ 7mm/0.3"	1	0.160
GAX7400AN	400mm/15.74" long □ 7mm/0.3"	1	0.200
GAX7500AN	500mm/19.68" long □ 7mm/0.3"	1	0.250
Adaptor for GAX66N and GAX66NB handles.			
GAX60B	Adaptor □ 7mm/0.3" for GA030A..., GA063A...GA160A...	1	0.010
Accessory for shaft extension.			
GLX00	Shaft alignment ring	1	0.040
Support for shaft extension.			
GAX18S05	□ 5mm/0.2"	1	0.160
GAX18S07	□ 7mm/0.27"	1	0.160
Set of 2 one-pole terminal covers for fourth pole.			
GAX81	For GAX42040A, GAX42063SA, GAX42040C, GAX42063SC, GAX42040D, GAX41040A, GAX41063SA and GAX41040C	1	0.009
GAX82	For GAX42063A...GAX42160A, GAX42063C...GAX42160C, GAX41125A and GAX41125C	1	0.012
Set of 2 three-pole terminal covers.			
GAX83	For GA016A...GA040A..., GA063SA..., GA016C...GA063C, GA063SC and GA040D	1	0.011
GAX84	For GA030A..., GA063A...GA160A..., GA030C..., GA063C...GA160C	1	0.030
Fuse holder for switch disconnectors.			
GAX391	For GA016A...GA032A... Suitable for 10.3x38 fuse size	1	0.132
GAX391UL	For GA016A...GA025A... Suitable for Class CC 10.3x38 fuse size	1	0.135

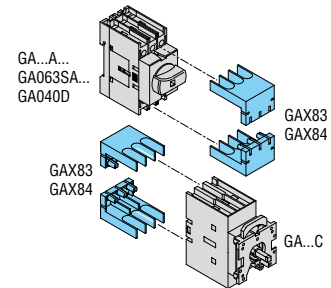
❶ Other lengths available on request.

Operational characteristics of fuse holder

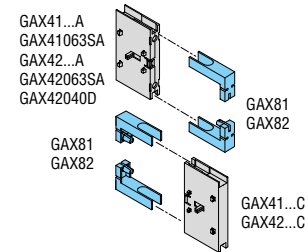
- IEC rated insulation voltage Ui: 1000V
- IEC rated impulse withstand Uimp: 8kV
- The fuse holders connect directly to the switch disconnectors
- Access to fuses only when the switch disconnectors are in OFF position.

Terminal covers

For switch disconnectors



For fourth pole



Certifications and compliance

Certifications obtained:

Type	cULus according to UL60947-4-1 / CSA C22.2 n°60947-4-1	cULus according to UL98 / CSA C22.2 n°4	EAC
GAX61-GAX61B	□	□	□
GAX62-GAX62B	□	□	□
GAX63-GAX63B	□	□	□
GAX63K-GAX63KB	—	—	□
GAX631B	—	—	□
GAX632-GAX632B	□	□	□
GAX64-GAX64B	□	□	□
GAX66N-GAX66NB	—	□	□
GAX67B	□	□	□
GAX68-GAX68B	—	—	□
GAX60B	—	□	□
GAX7055...GAX7500	□	□	□
GAX7150A...GAX7300A	—	□	□
GAX81-GAX83	□	—	□
GAX82-GAX84	—	□	□
GAX391	—	—	□
GAX391UL	□	—	—

□ Certification obtained.

NOTE: types GAX61/61B, GAX62/62B, GAX63/63B, GAX63K/63KB, GAX632/632B, GAX64/64B, GAX66N/66NB, GAX67B are UL/CSA Type 1, 2, 3R, 12, 12K, 4, 4X external use when used with types GA016...40A/C, GA040D and GA063SA/C. GAX61/61B, GAX62/62B, GAX63/63B, GAX63K/63KB, GAX632/632B, GAX64/64B, GAX66N/66NB, GAX67B are UL/CSA Type 1, 3R, 12, 12K, 4, 4X external use when used with types GA030A/C and GA063...GA125A/C.

Compliant with standards: IEC/EN/BS 60947-1, IEC/EN/BS 60947-3, UL60947-4-1, UL98, CSA C22.2.

Assembled manual changeover switches



GA025...063...ET6



GA080...160ET6



GA025...063...ET8



GA080...160ET8

Order code	IEC conventional thermal current I _{th} AC21A (≤690V)	IEC rated operational current I _e AC22A (≤690V) AC23A (≤400V)	Qty per pkg	Wt
	[A]	[A]	n°	[kg]

Three-pole versions.

GA025ET6	25	25	1	0.350
GA040ET6	40	40	1	0.350
GA063SAET6	63	45	1	0.350
GA080ET6	80	80	1	0.881
GA125ET6	125	125	1	0.881
GA160ET6	160	125	1	0.881

Four-pole versions.

GA025ET8	25	25	1	1.250
GA040ET8	40	40	1	1.250
GA063SAET8	63	45	1	1.250
GA080ET8	80	80	1	1.133
GA125ET8	125	125	1	1.133
GA160ET8	160	125	1	1.133

Components

Switch disconnector	Fourth pole	Mechanical interlock
2 x GA025A	-	GAX5000
2 x GA040A	-	GAX5000
2 x GA063SA	-	GAX5000
2 x GA080A	-	GAX5001
2 x GA125A	-	GAX5001
2 x GA160A	-	GAX5001

2 x GA025A	2 x GAX42040A	GAX5000
2 x GA040A	2 x GAX42040A	GAX5000
2 x GA063SA	2 x GAX42063SA	GAX5000
2 x GA080A	2 x GAX42080A	GAX5001
2 x GA125A	2 x GAX42125A	GAX5001
2 x GA160A	2 x GAX42160A	GAX5001

Switch disconnectors complete with shaft extension, door-coupling handle and terminal covers



GA...A...K...

Order code	IEC conventional thermal current I _{th} AC21A (≤690V)	IEC rated operational current I _e AC22A (≤690V) AC23A (≤400V)	Poles	Qty per pkg	Wt
	[A]	[A]	n°	n°	[kg]

Three-pole versions.

GA025AK30063	25	25	3P	1	0.302
GA040AK30063	40	40	3P	1	0.302
GA063SAK30063	63	45	3P	1	0.302

Four-pole versions.

GA025AK30063T4	25	25	4P	1	0.356
GA040AK30063T4	40	40	4P	1	0.356
GA063SAK30063T4	63	45	4P	1	0.356

Components

Switch disconnector	Fourth pole	Terminal cover	
		3P	1P
GA025A	-	GAX83	-
GA040A	-	GAX83	-
GA063SA	-	GAX83	-

GA025A	GAX42040A	GAX83	GAX81
GA040A	GAX42040A	GAX83	GAX81
GA063SA	GAX42063SA	GAX83	GAX81

- 300mm/11.8" shaft extension: GAX7300
- Red/yellow door-coupling handle: GAX63
- 2 pcs-set of terminal covers for both line and load terminals protection.

Empty plastic enclosures IEC/EN/BS IP65 type



GAZ1

GAZ2



GAZ3



GAX30

Order code	Description	Qty per pkg	Wt
		n°	[kg]

For switch disconnectors.
With red/yellow handle. Complete with shaft extension.

GAZ1	For GA016A...GA040A.../D	1	0.320
GAZ2	For GA063SA..., GA030A... and GA063A...GA100A...	1	0.780
GAZ3	For GA125A...GA160A...	1	1.900

With black handle. Complete with shaft extension.

GAZ1B	For GA016A...GA040A.../D	1	0.320
GAZ2B	For GA063SA..., GA030A... and GA063A...GA100A...	1	0.730
GAZ3B	For GA125A...GA160A...	1	1.900

Accessory.

GAX30	Shielded cable fixing kit for GAZ1 and GAZ1B	1	0.083
-------	--	---	-------

The empty enclosures are supplied with the following accessories:

Enclosure	GAZ1 GAZ1B	GAZ2 GAZ2B	GAZ3 GAZ3B
Red/yellow handle	GAX61	GAX61	GAX61
Black handle	GAX61B	GAX61B	GAX61B
Extension	1	1	1
Neutral plate terminal	1	1	-
Earth/Ground plate terminal	1	1	-

General characteristics

- Enclosure material: ABS
- Padlockable handles
- Sealable cover
- Tightening torque for cover screws:
 - GAZ1...: 1.3Nm/16lb.in
 - GAZ2... and GAZ3...: 1.5Nm/13lb.in
- Degree of protection: IP65
- Cable entry:
 - GAZ1... types: PG16/M25 and PG13.5/M20 knockouts
 - GAZ2... types: PG16/M25 and PG29/M32 knockouts
 - GAZ3... types: smooth surfaces; can be drilled by customer.

Certifications and compliance

Certifications obtained: EAC.
Compliant with standards: IEC/EN/BS 60947-3, IEC/EN/BS 60947-1.

Empty plastic enclosures UL/CSA Type 4/4X



GAZ1UL



GAZ2UL



GAX30

Order code	Description	Qty per pkg	Wt
		n°	[kg]

For switch disconnectors.
With red/yellow handle. Complete with shaft extension.

GAZ1UL	For GA016A...GA040A... and GA040D	1	0.320
GAZ2UL	For GA063SA...	1	0.730

With black handle. Complete with shaft extension.

GAZ1BUL	For GA016A...GA040A... and GA040D	1	0.320
GAZ2BUL	For GA063SA...	1	0.730

Accessory.

GAX30	Shielded cable fixing kit for GAZ1UL and GAZ1BUL	1	0.083
-------	--	---	-------

The empty enclosures are supplied with the following accessories:

Enclosure	GAZ1UL GAZ1BUL	GAZ2UL GAZ2BUL
Red/yellow handle	GAX61	GAX61
Black handle	GAX61B	GAX61B
Extension	1	1
Neutral plate terminal	1	1
Earth/Ground plate terminal	1	1

General characteristics

- Enclosure material: polycarbonate
- Padlockable handles
- Sealable cover
- Tightening torque for cover screws:
 - GAZ1...UL: 1.3Nm/16lb.in
 - GAZ2...UL: 1.5Nm/13lb.in
- Degree of protection: IP65; UL/CSA Type 4/4X
- Cable entry:
 - GAZ1...UL types: PG16/M25 and PG13.5/M20 knockouts
 - GAZ2...UL types: PG16/M25 and PG29/M32 knockouts.

Certifications and compliance

Certifications obtained: cULus for GAZ016...GAZ125...UL, GAZ1...UL and GAZ2...UL types; EAC for all.
Compliant with standards: IEC/EN/BS 60947-3, IEC/EN/BS 60947-1, UL60947-4-1 e CSA C22.2 n°60947-4-1 (up to GAZ063SA...), UL98 and CSA C22.2 n°4 (for all others types).

Switch disconnectors in plastic enclosure IEC/EN/BS IP65



GAZ016...GAZ040...



GAZ016...B...GAZ040...B



GAZ063...100C...



GAZ063...B...100C...B



GAZ125... GAZ160...



GAZ125...B... GAZ160...B

Order code	IEC conventional thermal current Ith AC21A (≤690V)	IEC rated operational current Ie		Qty per pkg	Wt [kg]
		AC23B (≤400V)	AC23B (≤500V)		
	[A]	[A]	[A]	n°	[kg]

THREE-POLE.
With red/yellow handle.

GAZ016	16	16	16	1	0.450
GAZ025	25	25	25	1	0.450
GAZ032	32	32	25	1	0.450
GAZ040	40	40	25	1	0.450
GAZ063SA	63	45	25	1	0.870
GAZ063C	63	63	63	1	1.220
GAZ080C	80	80	63	1	1.220
GAZ100C	100	100	80	1	1.220
GAZ125	125	125	100	1	2.220
GAZ160	160	125	100	1	2.220

THREE-POLE.
With black handle.

GAZ016B	16	16	16	1	0.450
GAZ025B	25	25	25	1	0.450
GAZ032B	32	32	25	1	0.450
GAZ040B	40	40	25	1	0.450
GAZ063SAB	63	45	25	1	0.870
GAZ063CB	63	63	63	1	1.220
GAZ080CB	80	80	63	1	1.220
GAZ100CB	100	100	80	1	1.220
GAZ125B	125	125	100	1	2.220
GAZ160B	160	125	100	1	2.220

FOUR-POLE.
With red/yellow handle.

GAZ016T4	16	16	16	1	0.550
GAZ032T4	32	32	25	1	0.550
GAZ040T4	40	40	25	1	0.550
GAZ063SAT4	63	45	25	1	0.780
GAZ063CT4	63	63	63	1	1.250
GAZ100CT4	100	100	80	1	1.250
GAZ125T4	125	125	100	1	2.500
GAZ160T4	160	125	100	1	2.500

FOUR-POLE.
With black handle.

GAZ016T4B	16	16	16	1	0.550
GAZ032T4B	32	32	25	1	0.550
GAZ040T4B	40	40	25	1	0.550
GAZ063SAT4B	63	45	25	1	0.780
GAZ063CT4B	63	63	63	1	1.250
GAZ100CT4B	100	100	80	1	1.250
GAZ125T4B	125	125	100	1	2.500
GAZ160T4B	160	125	100	1	2.500

General characteristics

- Enclosure material: ABS
- For four-pole types not indicated, separately purchase corresponding fourth pole GAX42...A and install on enclosed 3-pole version
- Possible accessories to mount afterwards, if any required:
 - GAX30 to provide shielded cable connection continuity (e.g. with static converters)
 - GAZ016...GAZ040...: 1 contact block both on the right and left disconnector side unless 4th pole is installed
 - Other types: 2 contact blocks both on the right and left disconnector side unless 4th pole is installed
 - GAZ125...GAZ160...: if any earth/ground and/or neutral terminal required, separately purchase types GAX3... given on page 14-15
- Padlockable handles
- Sealable cover

Components

Enclosure	Switch disconnector	Handle standard supplied with GAZ...
-----------	---------------------	--------------------------------------

GAZ1	GA016A	GAX61
GAZ1	GA025A	GAX61
GAZ1	GA032A	GAX61
GAZ1	GA040A	GAX61
GAZ2	GA063SA	GAX61
GAZ2	GA063A	GAX61
GAZ2	GA080A	GAX61
GAZ2	GA100A	GAX61
GAZ3	GA125A	GAX61
GAZ3	GA160A	GAX61

GAZ1B	GA016A	GAX61B
GAZ1B	GA025A	GAX61B
GAZ1B	GA032A	GAX61B
GAZ1B	GA040A	GAX61B
GAZ2B	GA063SA	GAX61B
GAZ2B	GA063A	GAX61B
GAZ2B	GA080A	GAX61B
GAZ2B	GA100A	GAX61B
GAZ3B	GA125A	GAX61B
GAZ3B	GA160A	GAX61B

Enclosure	Switch disconnector	4th pole	Handle standard supplied with GAZ...
GAZ1	GA016A	GAX42040A	GAX61
GAZ1	GA032A	GAX42040A	GAX61
GAZ1	GA040A	GAX42040A	GAX61
GAZ2	GA063SA	GAX42063SA	GAX61
GAZ2	GA063A	GAX42063A	GAX61
GAZ2	GA100A	GAX42100A	GAX61
GAZ3	GA125A	GAX42125A	GAX61
GAZ3	GA160A	GAX42160A	GAX61

GAZ1B	GA016A	GAX42040A	GAX61B
GAZ1B	GA032A	GAX42040A	GAX61B
GAZ1B	GA040A	GAX42040A	GAX61B
GAZ2B	GA063SA	GAX42063SA	GAX61B
GAZ2B	GA063A	GAX42063A	GAX61B
GAZ2B	GA100A	GAX42100A	GAX61B
GAZ3B	GA125A	GAX42125A	GAX61B
GAZ3B	GA160A	GAX42160A	GAX61B

- Tightening torque for cover screws:
 - GAZ016...GAZ040...: 1.3Nm/16lb.in
 - Other types: 1.5Nm/13lb.in
- Degree of protection: IP65
- Cable entry:
 - GAZ016..., GAZ040... types: PG16/M25 and PG13.5/M20 knockouts
 - GAZ063SA...GAZ100... types: PG16/M25 and PG29/M32 knockouts
 - GAZ125..., GAZ160... types: smooth surfaces; can be drilled by customer.

Certifications and compliance

Certifications obtained: EAC.
Compliant with standards: IEC/EN/BS 60947-3, IEC/EN/BS 60947-1.

Switch disconnectors in plastic enclosure UL/CSA Type 4/4X



GAZ016...UL...GAZ040...UL



GAZ016...BUL...GAZ040...BUL



GAZ063...UL...100...UL



GAZ063...BUL...100...BUL



GAZ125...UL



GAZ125...BUL

Order code	IEC conventional thermal current Ith	IEC rated operational current Ie		Qty per pkg	Wt [kg]
	AC21A (≤690V)	AC23B (≤400V)	AC23B (≤500V)		
	[A]	[A]	[A]	n°	[kg]

THREE-POLE.
With red/yellow handle.

GAZ016UL	16	16	16	1	0.450
GAZ025UL	25	25	25	1	0.450
GAZ032UL	32	32	25	1	0.450
GAZ040UL	40	40	25	1	0.450
GAZ063SAUL	63	45	25	1	0.870
GAZ063UL	63	63	63	1	1.220
GAZ080UL	80	80	63	1	2.220
GAZ100UL	100	100	80	1	2.220
GAZ125UL	125	125	100	1	2.220

THREE-POLE.
With black handle.

GAZ016BUL	16	16	16	1	0.450
GAZ025BUL	25	25	25	1	0.450
GAZ032BUL	32	32	25	1	0.450
GAZ040BUL	40	40	25	1	0.450
GAZ063SABUL	63	45	25	1	0.870
GAZ063BUL	63	63	63	1	1.220
GAZ080BUL	80	80	63	1	2.220
GAZ100BUL	100	100	80	1	2.220
GAZ125BUL	125	125	100	1	2.220

FOUR-POLE.
With red/yellow handle.

GAZ016T4UL	16	16	16	1	0.550
GAZ032T4UL	32	32	25	1	0.550
GAZ063T4UL	63	63	63	1	1.150
GAZ100T4UL	100	100	80	1	2.500
GAZ125T4UL	125	125	100	1	2.500

FOUR-POLE.
With black handle.

GAZ016T4BUL	16	16	16	1	0.550
GAZ032T4BUL	32	32	25	1	0.550
GAZ063T4BUL	63	63	63	1	1.150
GAZ100T4BUL	100	100	80	1	2.500
GAZ125T4BUL	125	125	100	1	2.500

① Extension shaft GAX7150 to be cut at 114mm/4.49" of total length.

Components

Enclosure	Switch disconnector	Handle standard supplied with GAZ...
-----------	---------------------	--------------------------------------

GAZ1UL	GA016A	GAX61
GAZ1UL	GA025A	GAX61
GAZ1UL	GA032A	GAX61
GAZ1UL	GA040A	GAX61
GAZ2UL	GA063SA	GAX61
M3NUL+GAX7150 ①	GA063A	GAX61
M3NUL+GAX7150 ①	GA080A	GAX61
M3NUL+GAX7150 ①	GA100A	GAX61
M3NUL+GAX7150 ①	GA125A	GAX61

GAZ1BUL	GA016A	GAX61B
GAZ1BUL	GA025A	GAX61B
GAZ1BUL	GA032A	GAX61B
GAZ1BUL	GA040A	GAX61B
GAZ2BUL	GA063SA	GAX61B
M3NUL+GAX7150 ①	GA063A	GAX61B
M3NUL+GAX7150 ①	GA080A	GAX61B
M3NUL+GAX7150 ①	GA100A	GAX61B
M3NUL+GAX7150 ①	GA125A	GAX61B

Enclosure	Switch disconnector	4th pole	Handle standard supplied with GAZ...
GAZ1UL	GA016A	GAX42040A	GAX61
GAZ1UL	GA032A	GAX42040A	GAX61
M3NUL+GAX7150 ①	GA063A	GAX42063A	GAX61
M3NUL+GAX7150 ①	GA100A	GAX42100A	GAX61
M3NUL+GAX7150 ①	GA125A	GAX42125A	GAX61

GAZ1BUL	GA016A	GAX42040A	GAX61B
GAZ1BUL	GA032A	GAX42040A	GAX61B
M3NUL+GAX7150 ①	GA063A	GAX42063A	GAX61B
M3NUL+GAX7150 ①	GA100A	GAX42100A	GAX61B
M3NUL+GAX7150 ①	GA125A	GAX42125A	GAX61B

General characteristics

- Enclosure material: polycarbonate
- For four-pole types not indicated, separately purchase corresponding fourth pole GAX4...A and install on enclosed 3-pole UL-suffix version
- Possible accessories to mount afterwards, if any required:
 - GAX30 to provide shielded cable connection continuity (e.g. with static converters)
 - GAZ016...GAZ040...: 1 contact block both on the right and left disconnector side unless 4th pole is installed
 - Other types: 2 contact blocks both on the right and left disconnector side unless 4th pole is installed
- Padlockable handles
- Sealable cover
- Tightening torque for cover screws:
 - GAZ016...GAZ040...UL: 1.3Nm/16lb.in
 - Other types: 1.5Nm/13lb.in
- Degree of protection: IP65; UL/CSA Type 4/4X
- Cable entry:
 - GAZ016...GAZ040...UL types: PG16/M25 and PG13.5/M20 knockouts
 - GAZ063SA...UL types: PG16/M25 and PG29/M32 knockouts
 - GAZ063...GAZ125...UL types: smooth surfaces; can be drilled by customer.

Certifications and compliance

Certifications obtained: cULus for GAZ016... GAZ125...UL, GAZ1...UL and GAZ2...UL types; EAC for all.
Compliant with standards: IEC/EN/BS 60947-3, IEC/EN/BS 60947-1, UL60947-4-1 and CSA C22.2 n°60947-4-1 (up to GAZ063SA...), UL98 and CSA C22.2 n°4 (for all others).

Manual changeover switches in plastic enclosure UL/CSA Type 4/4X



GAZ025E...GAZ063SAE...

GAZ080E...
GAZ160E...

Order code	IEC conventional free air thermal current Ith AC21A (≤690V)	IEC rated operational current Ie		Qty per pkg	Wt [kg]
		AC23B (≤400V)	AC23B (≤500V)		
	[A]	[A]	[A]	n°	[kg]

3-pole line changeover switches I-0-II. Black handle.

GAZ025ET6	25	25	25	1	1.060
GAZ040ET6	40	40	25	1	1.060
GAZ063SAET6	63	45	25	1	1.070
GAZ080ET6	80	80	63	1	2.950
GAZ125ET6	125	125	100	1	2.950
GAZ160ET6	160	125	100	1	2.950

4-pole line changeover switches I-0-II. Black handle.

GAZ025ET8	25	25	25	1	1.060
GAZ040ET8	40	40	25	1	1.060
GAZ063SAET8	63	45	25	1	1.070
GAZ080ET8	80	80	63	1	2.950
GAZ125ET8	125	125	100	1	2.950
GAZ160ET8	160	125	100	1	2.950

UL/CSA ratings

Type	1 phase [HP]		3 phase [HP]				General use at 600VAC [A]	Short-circuit rating at 600VAC [kA]	Fuse class - max rating at 600V Type - [A]
	120V	240V	200-208V	240V	480V	600V			
GAZ016...	1	2	5	5	10	10	16	5	RK5 - 20A
GAZ025...	1½	3	7½	7½	15	20	25	5	RK5 - 30A
GAZ032...	2	5	10	10	20	20	32	5	RK5 - 35A
GAZ040...	2	5	10	15	20	25	40	5	RK5 - 45A
GAZ063S...	2	7½	10	15	30	30	60	5	RK5 - 45A

NOTE: Above ratings are valid for GAZ016 - GAZ063S...UL types, according to UL508 and CSA 22.2 n°14.

Type	1 phase [HP]		3 phase [HP]				General use at 600VAC [A]	Short-circuit rating at 600VAC [kA]	Fuse class - max rating at 600V Type - [A]
	120V	240V	200-208V [Ⓜ]	240V	480V	600V			
GAZ063C...	3	7½	20	20	40	40	60	10	100
GAZ080...	3	10	25	25	40	40	100	10	100
GAZ100...	5	10	30	30	50	50	100	10	100
GAZ125...	7½	10	30	30	60	60	100	10	100

NOTE: Above ratings are valid for GAZ063C - GAZ125... types, according to UL98 and CSA 22.2 n°4.

[Ⓜ] Lower ratings in this same UL/CSA category are available on specific request for volume orders.

For information, consult Technical support; see contact details on inside front cover.

[Ⓜ] Voltage value not considered in UL98 / CSA 22.2 n°4 standards.

Components

Enclosure	Switch disconnectors	Mechanical interlock	Handle
M25N+GAX7090	2xGA025A	GAX5000	GAX67B
M25N+GAX7090	2xGA040A	GAX5000	GAX67B
M25N+GAX7090	2xGA063SA	GAX5000	GAX67B
M3NUL+GAX7090	2xGA080A	GAX5001	GAX67B
M3NUL+GAX7090	2xGA125A	GAX5001	GAX67B
M3NUL+GAX7090	2xGA160A	GAX5001	GAX67B
Enclosure	Switch disconnectors	Mechanical interlock	Handle
M25N+GAX7090	2xGA025A + 2xGAX42040A	GAX5000	GAX67B
M25N+GAX7090	2xGA040A + 2xGAX42040A	GAX5000	GAX67B
M25N+GAX7090	2xGA063SA + 2xGAX42063SA	GAX5000	GAX67B
M3NUL+GAX7090	2xGA080A + 2xGAX42080A	GAX5001	GAX67B
M3NUL+GAX7090	2xGA125A + 2xGAX42125A	GAX5001	GAX67B
M3NUL+GAX7090	2xGA160A + 2xGAX42160A	GAX5001	GAX67B

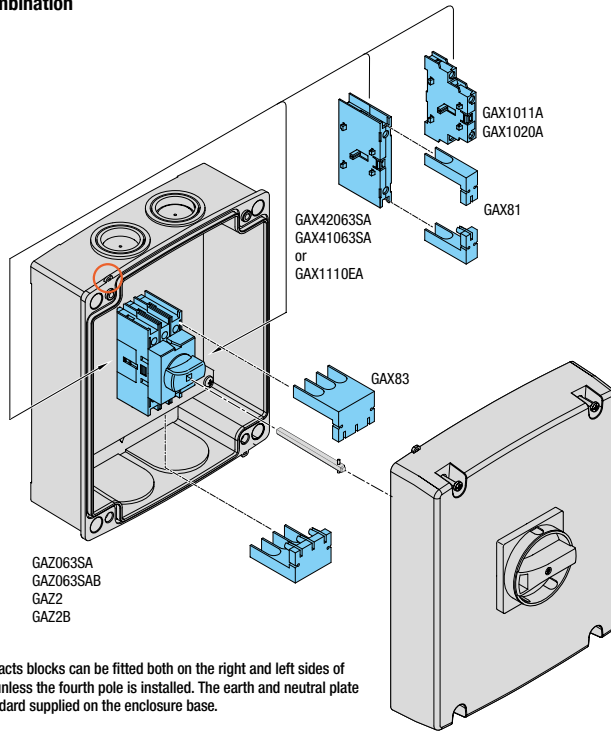
General characteristics

- Enclosure material: polycarbonate
- Possibility of fitting:
 - 2 contact blocks both on the right and left side for GAZ...ET6 types
 - 1 contact block both on the right and left side for GAZ...ET8 types
- Padlockable handle complete with extension
- Earth and neutral plate terminals
- Sealable enclosure cover
- Tightening torque for cover screws: 1.5Nm/13lb.in
- Degree of protection: IP65; UL/CSA Type 4/4X
- Cable entry:
 - GAZ025...GAZ063SA... types: PG16/M25 and PG29/M32 knockouts
 - GAZ080... and GAZ160... types: smooth surfaces; can be drilled by customer.

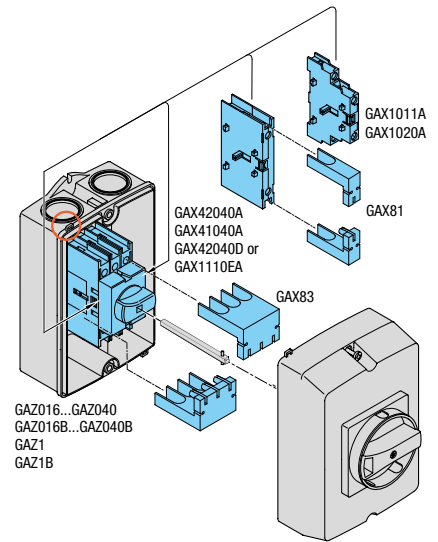
Certifications and compliance

Certifications obtained: cULus (except GAZ160E...), EAC. Compliant with standards: IEC/EN/BS 60947-3, IEC/EN/BS 60947-1, UL60947-4-1 and CSA C22.2 n°60947-4-1 (up to GAZ063SA...), UL98 and CSA C22.2 n°4 (for all others except GAZ160E...).

Maximum combination Enclosures

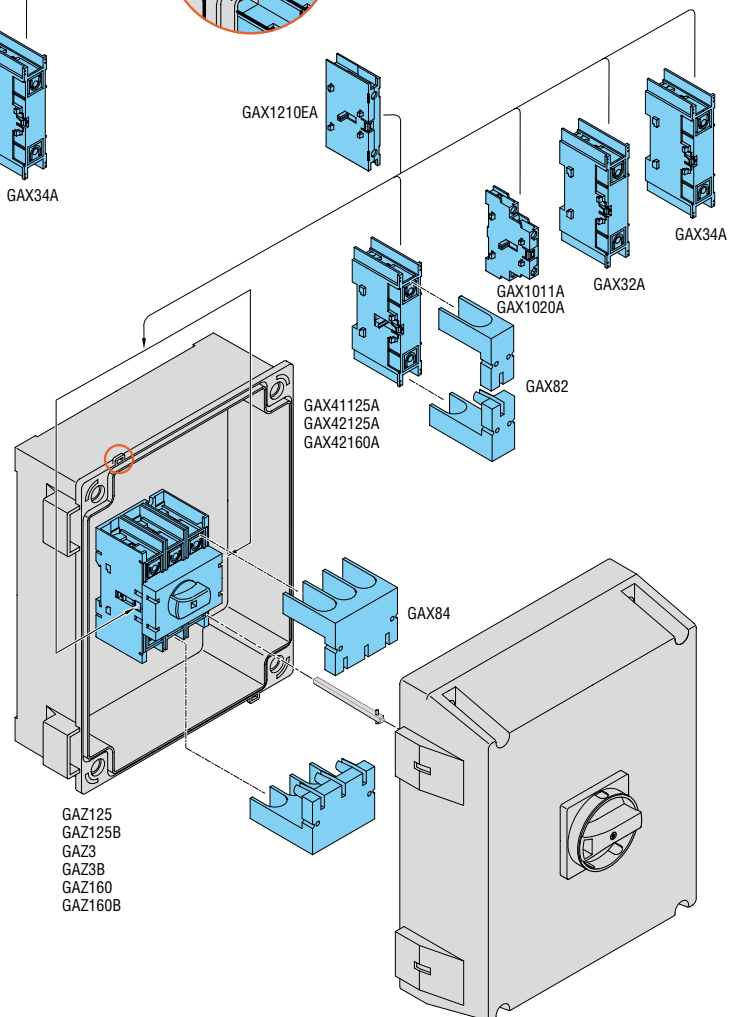
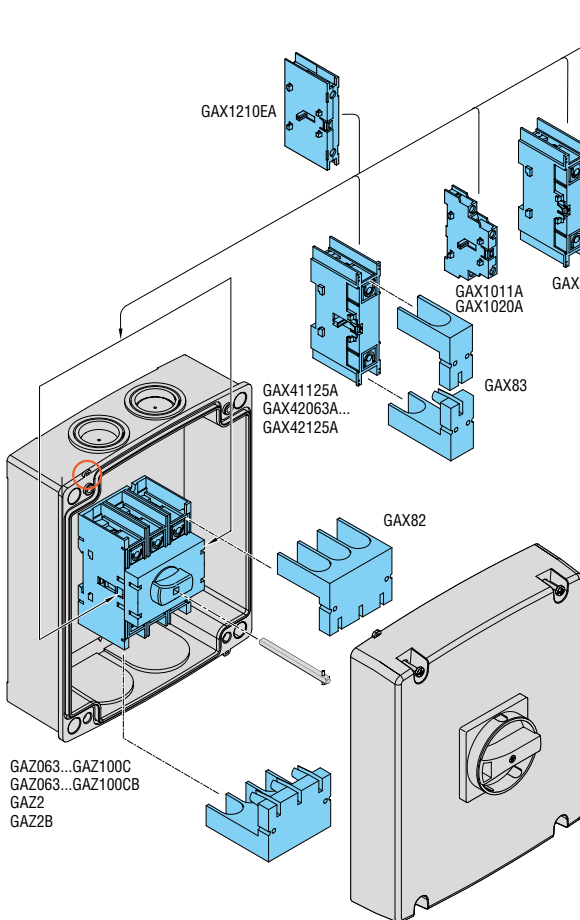
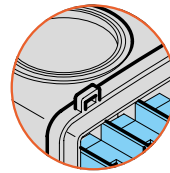


Two auxiliary contacts blocks can be fitted both on the right and left sides of the disconnector unless the fourth pole is installed. The earth and neutral plate terminals are standard supplied on the enclosure base.



One auxiliary contact block can be fitted on the right and left sides of the disconnector unless the fourth pole is installed. The earth and neutral plate terminals are standard supplied on the enclosure base.

Sealing eyelet



Two auxiliary contact blocks can be fitted both on the right and left sides of the disconnector unless the fourth pole is installed. Earth and neutral plate terminals are standard supplied on the box base. If any earth/ground and/or neutral terminals are required, type GAX3..., purchase separately.

Switch disconnectors in metal enclosure IEC/EN/BS IP65



GAZM016...GAZM100...



GAZM016...B...GAZM100...B



GAZM125...GAZM160...



GAZM125...B...GAZM160...B

Order code	IEC conventional thermal current I _{th}		IEC rated operational current I _e		Qty per pkg	Wt [kg]
	AC21A (≤690V)	AC23B (≤400V)	AC23B (≤400V)	AC23B (≤500V)		
	[A]	[A]	[A]	[A]	n°	[kg]

THREE-POLE.
With red/yellow handle.

GAZM016	16	16	16	1	2.150
GAZM025	25	25	25	1	2.150
GAZM032	32	32	25	1	2.150
GAZM040	40	40	25	1	2.150
GAZM063SA	63	45	25	1	2.150
GAZM063	63	63	63	1	2.380
GAZM080	80	80	63	1	2.380
GAZM100	100	100	80	1	2.380
GAZM125	125	125	100	1	3.550
GAZM160	160	125	100	1	3.550

THREE-POLE.
With black handle.

GAZM016B	16	16	16	1	2.150
GAZM025B	25	25	25	1	2.150
GAZM032B	32	32	25	1	2.150
GAZM040B	40	40	25	1	2.150
GAZM063SAB	63	45	25	1	2.150
GAZM063B	63	63	63	1	2.380
GAZM080B	80	80	63	1	2.380
GAZM100B	100	100	80	1	2.380
GAZM125B	125	125	100	1	3.550
GAZM160B	160	125	100	1	3.550

FOUR-POLE.
With red/yellow handle.

GAZM016T4	16	16	16	1	2.195
GAZM032T4	32	32	25	1	2.195
GAZM040T4	40	40	25	1	2.195
GAZM063SAT4	63	45	25	1	2.195
GAZM063T4	63	63	63	1	2.506
GAZM100T4	100	100	80	1	2.506
GAZM125T4	125	125	100	1	3.676
GAZM160T4	160	125	100	1	3.676

FOUR-POLE.
With black handle.

GAZM016T4B	16	16	16	1	2.195
GAZM032T4B	32	32	25	1	2.195
GAZM040T4B	40	40	25	1	2.195
GAZM063SAT4B	63	45	25	1	2.195
GAZM063T4B	63	63	63	1	2.506
GAZM100T4B	100	100	80	1	2.506
GAZM125T4B	125	125	100	1	3.676
GAZM160T4B	160	125	100	1	3.676

Components

Enclosure	Switch disconnector	Handle
-----------	---------------------	--------

GAZM1	GA016A	GAX61
GAZM1	GA025A	GAX61
GAZM1	GA032A	GAX61
GAZM1	GA040A	GAX61
GAZM1	GA063SA	GAX61
GAZM1	GA063A	GAX61
GAZM1	GA080A	GAX61
GAZM1	GA100A	GAX61
GAZM2	GA125A	GAX61
GAZM2	GA160A	GAX61

GAZM1	GA016A	GAX61B
GAZM1	GA025A	GAX61B
GAZM1	GA032A	GAX61B
GAZM1	GA040A	GAX61B
GAZM1	GA063SA	GAX61B
GAZM1	GA063A	GAX61B
GAZM1	GA080A	GAX61B
GAZM1	GA100A	GAX61B
GAZM2	GA125A	GAX61B
GAZM2	GA160A	GAX61B

Enclosure	Switch disconnector	4th pole	Handle
GAZM1	GA016A	GAX42040A	GAX61
GAZM1	GA032A	GAX42040A	GAX61
GAZM1	GA040A	GAX42040A	GAX61
GAZM1	GA063SA	GAX42063SA	GAX61
GAZM1	GA063A	GAX42063A	GAX61
GAZM1	GA100A	GAX42100A	GAX61
GAZM2	GA125A	GAX42125A	GAX61
GAZM2	GA160A	GAX42160A	GAX61

GAZM1	GA016A	GAX42040A	GAX61B
GAZM1	GA032A	GAX42040A	GAX61B
GAZM1	GA040A	GAX42040A	GAX61B
GAZM1	GA063SA	GAX42063SA	GAX61B
GAZM1	GA063A	GAX42063A	GAX61B
GAZM1	GA100A	GAX42100A	GAX61B
GAZM2	GA125A	GAX42125A	GAX61B
GAZM2	GA160A	GAX42160A	GAX61B

① Extension shaft GAX7... cut to a specific length has to be added; for more details contact our Technical support; see contact details on inside front cover.

General characteristics

- Enclosure material: painted sheet steel
- Padlockable handle
- Front door closing with screws
- Degree of protection: IP65
- Cable entry: smooth surfaces; can be drilled by customer.

Certifications and compliance

Compliant with standards: IEC/EN/BS 60947-3, IEC/EN/BS 60947-1.

Manual changeover switches in metal enclosure IEC/EN/BS IP65



GAZM080ET...GAZM160ET...

Order code	IEC conventional thermal current Ith	IEC rated operational current Ie		Qty per pkg	Wt [kg]
	AC21A (≤690V)	AC23B (≤400V)	AC23B (≤500V)		
	[A]	[A]	[A]	n°	
3-pole line changeover switches I-O-II. Black handle.					
GAZM025ET6	25	25	25	1	1.983
GAZM040ET6	40	40	25	1	1.983
GAZM063SAET6	63	45	25	1	1.983
GAZM080ET6	80	80	63	1	3.156
GAZM125ET6	125	125	100	1	3.156
GAZM160ET6	160	125	100	1	3.156
4-pole line changeover switches I-O-II. Black handle.					
GAZM025ET8	25	25	25	1	2.100
GAZM040ET8	40	40	25	1	2.100
GAZM063SAET8	63	45	25	1	2.100
GAZM080ET8	80	80	63	1	5.953
GAZM125ET8	125	125	100	1	5.953
GAZM160ET8	160	125	100	1	5.953

Switch disconnectors in stainless steel AISI 304 enclosure IEC/EN/BS IP65



GAZS016...GAZS100...

Order code	IEC conventional thermal current Ith	IEC rated operational current Ie		Qty per pkg	Wt [kg]
	AC21A (≤690V)	AC23B (≤400V)	AC23B (≤500V)		
	[A]	[A]	[A]	n°	
THREE-POLE. With red/yellow handle.					
GAZS016	16	16	16	1	2.150
GAZS025	25	25	25	1	2.150
GAZS032	32	32	25	1	2.150
GAZS040	40	40	25	1	2.150
GAZS063SA	63	45	25	1	2.150
GAZS063	63	63	63	1	2.380
GAZS100	100	100	80	1	2.380
THREE-POLE. With black handle.					
GAZS016B	16	16	16	1	2.150
GAZS025B	25	25	25	1	2.150
GAZS032B	32	32	25	1	2.150
GAZS040B	40	40	25	1	2.150
GAZS063SAB	63	45	25	1	2.150
GAZS063B	63	63	63	1	2.380
GAZS100B	100	100	80	1	2.380

① Extension shaft GAX7... cut to a specific length has to be added; for more details contact our Technical support; see contact details on inside front cover.

Components①

Enclosure	Switches disconnectors	Mechanical interlock	Handle
GAZM1	2 x GA025A	GAX5000	GAX67B
GAZM1	2 x GA040A	GAX5000	GAX67B
GAZM1	2 x GA063SA	GAX5000	GAX67B
GAZM2	2 x GA080A	GAX5001	GAX67B
GAZM2	2 x GA125A	GAX5001	GAX67B
GAZM2	2 x GA160A	GAX5001	GAX67B
GAZM1	2 x GA025A + 2 x GAX42040A	GAX5000	GAX67B
GAZM1	2 x GA040A + 2 x GAX42040A	GAX5000	GAX67B
GAZM1	2 x GA063SA + 2 x GAX42063SA	GAX5000	GAX67B
GAZM3	2 x GA080A + 2 x GAX42080A	GAX5001	GAX67B
GAZM3	2 x GA125A + 2 x GAX42125A	GAX5001	GAX67B
GAZM3	2 x GA160A + 2 x GAX42160A	GAX5001	GAX67B

General characteristics

- Enclosure material: painted sheet steel
- Padlockable handle
- Front door closing with screws and hinges on the right side of the enclosure (GAZM080ET8...GAZM160ET8...)
- Degree of protection: IP65
- Cable entry: smooth surfaces; can be drilled by customer.

Certifications and compliance

Compliant with standards: IEC/EN/BS 60947-3, IEC/EN/BS 60947-1.

Components①

Enclosure	Switch disconnector	Handle
GAZS1	GA016A	GAX61
GAZS1	GA025A	GAX61
GAZS1	GA032A	GAX61
GAZS1	GA040A	GAX61
GAZS1	GA063SA	GAX61
GAZS1	GA063A	GAX61
GAZS1	GA100A	GAX61
GAZS1	GA016A	GAX61B
GAZS1	GA025A	GAX61B
GAZS1	GA032A	GAX61B
GAZS1	GA040A	GAX61B
GAZS1	GA063SA	GAX61B
GAZS1	GA063A	GAX61B
GAZS1	GA100A	GAX61B

General characteristics

- Enclosure material: AISI 304 stainless steel
- Padlockable handle
- Front door closing with screws
- Degree of protection: IP65
- Cable entry: smooth surfaces; can be drilled by customer
- For four-pole versions add the corresponding GAX42...A fourth pole to the switch disconnector.

Certifications and compliance

Compliant with standards: IEC/EN/BS 60947-3, IEC/EN/BS 60947-1.

Three-pole switch disconnectors IEC/EN/BS



GL0160C1...GL0315C1



GL0320C1...GL0500C1



GL0631C1...GL0800C1

Order code	IEC conventional free air thermal current I _{th} AC21A (≤690V)	IEC rated operational current I _e		Qty per pkg	Wt
		AC23A (≤415V)	AC23A (≤690V)		
	[A]	[A]	[A]	n°	[kg]

Supplied without handle.

Complete the switch disconnector by selecting shaft extension and handle for door coupling version or the handle for direct operating version.

GL0160C1	160	160	160	1	1.740
GL0200C1	200	200	200	1	1.740
GL0250C1	250	250	250	1	1.740
GL0315C1	315	315	250	1	1.740
GL0320C1	320	320	320	1	3.460
GL0400C1	400	400	400	1	3.460
GL0500C1	500	500	500	1	3.460
GL0630C1	630	630	500	1	3.780
GL0631C1	630	630	630	1	7.450
GL0800C1	800	800	800	1	7.450
GL1000C1	1000	1000	800	1	7.950

new

Three-pole switch disconnectors UL98

cULus



GL...C1UL

Order code	General purpose current	Max. 3-phase horsepower rating	Qty per pkg	Wt
	[A]	[HP/V]	n°	[kg]

Supplied without handle.

Complete the switch disconnector by selecting shaft extension and handle for door coupling version or the handle for direct operating version.

GL0100C1UL	100	30/240 75/480 100/600	1	1.900
GL0200C1UL	200	75/240 150/480 200/600	1	1.900
GL0400C1UL	400	125/240 250/480 350/600	1	3.780
GL0600C1UL	600	200/240 450/480 500/600	1	7.450
GL0800C1UL	800	250/240 500/480 500/600	1	7.950

new

General characteristics

- 160 to 1000A AC23 versions
- 100A, 200A, 400A, 600A and 800A general purpose according to UL98
- Compact dimensions and add-on fourth-pole
- Screw or 35mm DIN rail fixing to 315A. Only on a plate from 320A to 1000A
- Possibility to adjust the position of the clips for screw fixing on plate
- Visible contacts
- Maximum number of power poles: 4.

Operational characteristics

- Rated insulation voltage U_i: 1,000V
- Rated impulse withstand U_{imp}: 12kV
- Mechanical life:
 - 20,000 cycles from 160A to 315A
 - 10,000 cycles from 320A to 630A
 - 5,000 cycles from 630A (GL0631...) to 1,000A.

Certifications and compliance

Certifications obtained: cULus according to UL98 / CSA C22.2 n°4 for GL...UL and GLX42...UL types. Compliant with standards: IEC/EN/BS 60947-3, IEC/EN/BS 60947-1.

Add-on fourth pole IEC/EN/BS



GLX420315 GLX420500 GLX420630



GLX420631...800 GLX421000

new

Order code	IEC conventional free air thermal current I _{th} AC21A (≤690V)	IEC rated operational current I _e		Qty per pkg	Wt [kg]
	[A]	AC23A (≤400V)	AC23A (≤690V)		
	[A]	[A]	[A]	n°	[kg]

Simultaneous closing operation as switch disconnector poles.
For switch disconnectors GL0160C1...GL0315C1 versions.

GLX420315	315	315	250	1	0.400
-----------	-----	-----	-----	---	-------

For switch disconnectors GL0320C1...GL0630C1 versions.

GLX420320	320	320	320	1	0.900
-----------	-----	-----	-----	---	-------

GLX420400	400	400	400	1	0.900
-----------	-----	-----	-----	---	-------

GLX420500	500	500	500	1	0.900
-----------	-----	-----	-----	---	-------

GLX420630	630	630	500	1	0.900
-----------	-----	-----	-----	---	-------

For switch disconnectors GL0631C1...GL1000C1 versions.

GLX420631	630	630	630	1	1.860
-----------	-----	-----	-----	---	-------

GLX420800	800	800	800	1	1.860
-----------	-----	-----	-----	---	-------

GLX421000	1000	1000	800	1	1.860
-----------	------	------	-----	---	-------

General characteristics

- 160 to 1000A AC23 versions
- 100A, 200A, 400A, 600A and 800A general purpose according to UL98
- Compact dimensions and add-on fourth-pole
- Visible contacts
- Maximum number of power poles: 4.

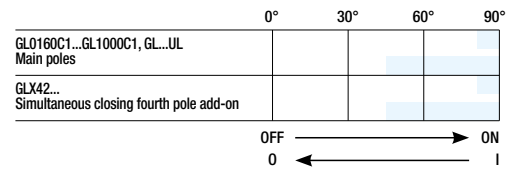
Operational characteristics

- Rated insulation voltage U_i: 1,000V
- Rated impulse withstand U_{imp}: 12kV
- Mechanical life:
 - 20,000 cycles from 160A to 315A
 - 10,000 cycles from 320A to 630A
 - 5,000 cycles from 630A (GL0631...) to 1,000A.

Certifications and compliance

Certifications obtained: cULus according to UL98 / CSA C22.2 n°4 for GL...UL and GLX42...UL types. Compliant with standards: IEC/EN/BS 60947-3, IEC/EN/BS 60947-1.

Strokes of GL poles (main poles and add-on pole)



Add-on fourth pole UL98

cULus



GLX420200UL GLX420400UL

new

Order code	General purpose current	Max. 3-phase horsepower rating	Qty per pkg	Wt [kg]
	[A]	[HP/V]		
	[A]	[HP/V]	n°	[kg]

Simultaneous closing operation as switch disconnector poles.
For switch disconnectors GL0100C1UL version.

GLX420100UL	100	30/240 75/480 100/600	1	0.410
-------------	-----	-----------------------------	---	-------

For switch disconnectors GL0200C1UL version.

GLX420200UL	200	75/240 150/480 200/600	1	0.410
-------------	-----	------------------------------	---	-------

For switch disconnectors GL0400C1UL version.

GLX420400UL	400	125/240 250/480 350/600	1	0.900
-------------	-----	-------------------------------	---	-------

For switch disconnectors GL0600C1UL version.

GLX420600UL	600	200/240 450/480 500/600	1	1.860
-------------	-----	-------------------------------	---	-------

For switch disconnectors GL0800C1UL version.

GLX420800UL	800	250/240 500/480 500/600	1	1.980
-------------	-----	-------------------------------	---	-------

Manual three-pole changeover switches IEC/EN/BS



GLC0160C1...GLC0315C1

Order code	IEC conventional free air thermal current I _{th} AC21A (≤690V)	IEC rated operational current I _e		Qty per pkg	Wt
		AC33B (≤400V)	AC33B (≤690V)		
	[A]	[A]	[A]	n°	[kg]

Supplied without handle.

GLC0160C1	160	160	160	1	3.550
GLC0200C1	200	200	200	1	3.550
GLC0250C1	250	250	250	1	3.550
GLC0315C1	315	315	250	1	3.550
GLC0320C1	320	320	320	1	7.060
GLC0400C1	400	400	400	1	7.060
GLC0500C1	500	500	500	1	7.060
GLC0630C1	630	630	500	1	7.720
GLC0631C1	630	630	630	1	16.500
GLC0800C1	800	800	800	1	16.500
GLC1000C1	1000	1000	800	1	18.000

new

Manual four-pole changeover switches IEC/EN/BS



GLC0160T4C1...GLC0315T4C1

Order code	IEC conventional free air thermal current I _{th} AC21A (≤690V)	IEC rated operational current I _e		Qty per pkg	Wt
		AC33B (≤400V)	AC33B (≤690V)		
	[A]	[A]	[A]	n°	[kg]

Supplied without handle.

GLC0160T4C1	160	160	160	1	4.330
GLC0200T4C1	200	200	200	1	4.330
GLC0250T4C1	250	250	250	1	4.330
GLC0315T4C1	315	315	250	1	4.330
GLC0320T4C1	320	320	320	1	8.810
GLC0400T4C1	400	400	400	1	8.810
GLC0500T4C1	500	500	500	1	8.810
GLC0630T4C1	630	630	500	1	9.460
GLC0631T4C1	630	630	630	1	18.600
GLC0800T4C1	800	800	800	1	18.600
GLC1000T4C1	1000	1000	800	1	17.800

new

General characteristics

- 160 to 1000A AC33 versions
- Screw fixing on plate
- Visible contacts.

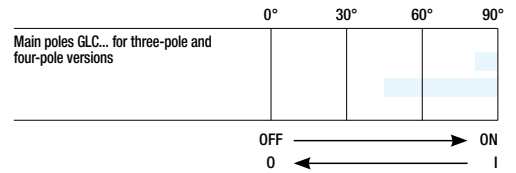
Operational characteristics

- Rated insulation voltage U_i: 1,000V
- Rated impulse withstand U_{imp}: 12kV
- Mechanical life:
 - 20,000 cycles from 160A to 315A
 - 10,000 cycles from 320A to 630A
 - 5,000 cycles from 630A (GLC0631...) to 1000A

Certifications and compliance

Compliant with standards: IEC/EN/BS 60947-6-1, IEC/EN/BS 60947- 3.

Strokes of GLC... poles



Motorised three-pole changeover switches IEC/EN/BS



GLCM0160C1...GLCM0315C1

new

Order code	IEC conventional free air thermal current Ith AC21A (≤690V)	IEC rated operational current Ie		Qty per pkg	Wt [kg]
		AC33B (≤400V)	AC33B (≤690V)		
	[A]	[A]	[A]	n°	[kg]
Rated motor auxiliary supply voltage 24VDC.					
GLCMB0125D024	125	125	125	1	6.350
GLCMB0160D024	160	160	160	1	6.350
GLCMB0200D024	200	200	200	1	6.350
GLCMB0250D024	250	250	250	1	6.350
GLCMB0315D024	315	315	250	1	6.350
Rated motor auxiliary supply voltage 110...125VAC/DC.					
GLCMB0125E110	125	125	125	1	6.350
GLCMB0160E110	160	160	160	1	6.350
GLCMB0200E110	200	200	200	1	6.350
GLCMB0250E110	250	250	250	1	6.350
GLCMB0315E110	315	315	250	1	6.350
Rated motor auxiliary supply voltage 208...277VAC.					
GLCMB0125A230	125	125	125	1	6.350
GLCMB0160A230	160	160	160	1	6.350
GLCMB0200A230	200	200	200	1	6.350
GLCMB0250A230	250	250	250	1	6.350
GLCMB0315A230	315	315	250	1	6.350

Motorised four-pole changeover switches IEC/EN/BS



GLCM0160T4C1...GLCM0315T4C1

new

Order code	IEC conventional free air thermal current Ith AC21A (≤690V)	IEC rated operational current Ie		Qty per pkg	Wt [kg]
		AC33B (≤400V)	AC33B (≤690V)		
	[A]	[A]	[A]	n°	[kg]
Rated motor auxiliary supply voltage 24VDC.					
GLCMB0125T4D024	125	125	125	1	7.130
GLCMB0160T4D024	160	160	160	1	7.130
GLCMB0200T4D024	200	200	200	1	7.130
GLCMB0250T4D024	250	250	250	1	7.130
GLCMB0315T4D024	315	315	250	1	7.130
Rated motor auxiliary supply voltage 110...125VAC/DC.					
GLCMB0125T4E110	125	125	125	1	7.130
GLCMB0160T4E110	160	160	160	1	7.130
GLCMB0200T4E110	200	200	200	1	7.130
GLCMB0250T4E110	250	250	250	1	7.130
GLCMB0315T4E110	315	315	250	1	7.130
Rated motor auxiliary supply voltage 208...277VAC.					
GLCMB0125T4A230	125	125	125	1	7.130
GLCMB0160T4A230	160	160	160	1	7.130
GLCMB0200T4A230	200	200	200	1	7.130
GLCMB0250T4A230	250	250	250	1	7.130
GLCMB0315T4A230	315	315	250	1	7.130

Order code	Description
EXPANSION MODULES	
Outputs.	
EXP1003	2C/O relay outputs 5A 250VAC
EXP1006	2NO relay outputs 5A 250VAC
Communication port.	
EXP1012	Opto-isolated RS485 interface



EXP10...

General characteristics

- 125 to 315A AC33 versions
- Screw fixing on plate
- Visible contacts
- Open transition (I – 0 – II positions)
- Electrically or manually operated
- Direct handle for manual operation supplied as standard, padlockable to prevent electrical operations
- Terminal blocks with removable screws fixing for power supply and switch control to ensure connection stability
- Expandable with EXP... expansion modules:
 - EXP1003: 2C/O relay outputs 5A 250VAC
 - EXP1006: 2NO relay outputs 5A 250VAC
 - EXP1012: RS485 communication port, Modbus-RTU.

EXP series expansion modules

See section 35.

Operational characteristics

- Rated insulation voltage Ui: 1,000V
- Rated impulse withstand Uimp: 12kV
- Mechanical life: 20,000 cycles.

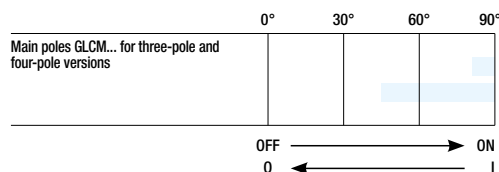
Rated motor auxiliary supply voltage

- 24VDC (19.2...31.2VDC) for GLCM...D024;
- 110...125VAC/DC (77...165VAC/DC) for GLCM...E110;
- 208...277VAC (166...332VAC) for GLCM...A230.

Certifications and compliance

Compliant with standards: IEC/EN/BS 60947-6-1, IEC/EN/BS 60947- 3.

Strokes of GLCM... power poles



Add-on blocks



GLX1010EA



GLX1001



GLX300



GLX301

new



GLX8...



GLDX800

new



GLX9...



GLDX9...

new

Order code	Characteristics	Qty per pkg	Wt
		n°	[kg]

Auxiliary contacts.

GLX1001	1NC with screw terminals	1	0.100
GLX1010EA	1EB with screw terminals	1	0.100

Neutral terminal.

GLX300	For GL0100...GL0315	1	0.340
GLX302	For GL0320...GL0630	1	0.680
GLX304	For GL0600C1UL and GL0631...GL0800	1	1.860
GLX306	For GL0800C1UL and GL1000	1	1.980

Earth/ground terminal.

GLX301	For GL0100...GL0315	1	0.340
GLX303	For GL0320...GL0630	1	0.680
GLX305	For GL0600C1UL and GL0631...GL0800	1	1.860
GLX307	For GL0800C1UL and GL1000	1	1.980

new

One-pole terminal covers.

GLX800	3-piece set. 3 terminals protections. For GL0100...GL0315, GLC0100...GLC0315 and GLCMB0125...GLCMB0315	1	0.060
GLX801	4-piece set. 4 terminals protections. For GL0100...GL0315, GLC0100...GLC0315, GLCMB0125...GLCMB0315 and GLD...	1	0.080
GLX802	3-piece set. 3 terminals protections. For GL0320...GL0630 and GLC0320...GLC0630	1	0.070
GLX803	4-piece set. 4 terminals protections. For GL0320...GL0630 and GLC0320...GLC0630	1	0.095
GLX804	3-piece set. 3 terminals protections. For GL0600...GL0800C1UL, GL0631...GL1000 and GLC0631...GLC1000	1	0.085
GLX805	4-piece set. 4 terminals protections. For GL0600...GL0800C1UL, GL0631...GL1000 and GLC0631...GLC1000	1	0.115

Two-pole terminal covers.

GLDX800	2-piece set. 4 terminals protections with series connections. For GLD...T4...	1	0.060
---------	---	---	-------

new

One-pole phase barrier (needed for voltages > 500VAC).

GLX900	6-piece set. For GL0100...GL0315, GLC0100...GLC0315 and GLCMB0125...GLCMB0315	1	0.070
GLX901	8-piece set. For GL0100...GL0315, GLC0100...GLC0315 and GLCMB0125...GLCMB0315	1	0.090
GLX902	6-piece set. For GL0320...GL0500 and GLC0320...GLC0500	1	0.011
GLX903	8-piece set. For GL0320...GL0500 and GLC0320...GLC0500	1	0.011
GLX904	6-piece set. For GL0600C1UL, GL0631...GL0800 and GLC0631...GLC0800	1	0.160
GLX905	8-piece set. For GL0600C1UL, GL0631...GL0800 and GLC0631...GLC0800	1	0.210
GLDX900	2-piece set. For GLD...T4C3	1	0.052
GLDX901	2-piece set. For GLD...T4C3UL	1	0.052

① Phase barriers standard supplied for GLD...T4C3UL. They provide increased protection than GLX900 and GLX901. They can be used also together with GL0100...GL0315.

Operational characteristics of auxiliary contacts GLX10...

- Conventional free air thermal current I_{th}: 10A
- Rated insulation voltage: 690V
- Conductivity: 5V, 1mA
- UL/CSA and IEC/EN/BS 60947-5-1 designation: A600 Q600
- Tightening torque: 0.8Nm/7.1lb.in
- Maximum 8 contacts (2 for slot) for GL0160...GL1000 switch disconnectors
- Maximum 4 contacts for position (1 for slot) for GLC...and GLCM... changeover switches
- Snap-on assembly without the use of tools.

Operational characteristics of neutral and earth/ground terminals GLX3...

- Add-on only on GL0160...GL1000 switch disconnectors
- Tightening torque for GLX300 and GLX301: 15...22Nm/132.7...194.7lb.in
- Tightening torque for GLX302 and GLX303: 30...37Nm/265...327lb.in
- Tightening torque for GLX304, GLX305, GLX306, GLX307: 50...75Nm/442...664lb.in

Operational characteristics for terminal covers and phase barriers GLX8..., GLX9...

- Snap-on mounting.

Strokes of switch disconnectors GL... poles

	0°	30°	60°	90°
Main poles				
GLX1010EA				
GLX1001				
GLX1010EA				
GLX1001				

OFF ← → ON
0 ← → 1

Add-on blocks



GLX500 - GLX501



GLX502 - GLX503



GLX504 - GLX505



GLDX501



GLX55...



GLXV...



GLXHS1

new

new

new

new

Order code	Characteristics	Qty per pkg	Wt
		n°	[kg]
Terminal clamp sets for rigid and flexible cables.			
GLX500	1-piece set. 1 terminal connection for single cable. For GL0100...GL0315, GLC0100...GLC0315, GLCMB0125...GLCMB0315 and GLD...	1	0.050
GLX501	3-piece set. 3 terminals connection for single cable. For GL0100...GL0315, GLC0100...GLC0315, GLCMB0125...GLCMB0315 and GLD...	1	0.140
GLX502	1-piece set. 1 terminal connection for single cable. For GL0320...GL0630 and GLC0320...GLC0630	1	0.100
GLX503	3-piece set. 3 terminals connection for single cable. For GL0320...GL0630 and GLC0320...GLC0630	1	0.280
GLX504	1-piece set. 1 terminal connection for double cables. For GL0320...GL0630 and GLC0320...GLC0630	1	0.110
GLX505	3-piece set. 3 terminals connection for double cables. For GL0320...GL0630 and GLC0320...GLC0630	1	0.310
GLX506	1-piece set. 1 terminal connection for four cables. For GL0600...GL0800C1UL, GL0631...GL1000 and GLC0631...GLC1000	1	0.200
GLX507	3-piece set. 3 terminal connection for four cables. For GL0600...GL0800C1UL, GL0631...GL1000 and GLC0631...GLC1000	1	0.600
GLDX501	4-piece set. 4 terminal connection for four cables. For GLD...UL, GL0100...GL0315, GLC0100...GLC0315 and GLCMB0125...GLCMB0315	1	0.600
Captive nuts.			
GLX550	8-piece set. For GL0100...GL0315, GLC0100...GLC0315 and GLCMB0125...GLCMB0315	1	0.010
GLX551	8-piece set. For GL0320...GL0630 for GLC0320...GLC0630	1	0.010
GLX552	8-piece set. For GL0600C1UL, GL0631...GL0800 and GLC0631...GLC0800	1	0.015
GLX553	8-piece set. For GL0800C1UL, GL1000 and GLC1000	1	0.015
GLDX550	4-piece set. For GLD..., GL0100...GL0315, GLC0100...GLC0315 and GLCMB0125...GLCMB0315	1	0.015
Voltage sensing connectors.			
GLXVS00	6-piece set. For GLD..., GL0100...GL0315, GLC0100...GLC0315 and GLCMB0125...GLCMB0315	1	0.030
GLXVS00	8-piece set. For GLD..., GL0100...GL0315, GLC0100...GLC0315 and GLCMB0125...GLCMB0315	1	0.040
Direct operating handle holder for motorised changeover switches GLCM...			
GLXHS1	For GLX61DB handle	1	0.018

Operational characteristics for terminal clamps

GLX500-GLX501

- Maximum conductor cross section: 120mm²/250kcmil
- Minimum conductor cross section: 16mm²/6AWG
- Tightening torque: 35Nm/309.7lb.in.

GLX502-GLX503

- Maximum conductor cross section: 304mm²/600kcmil
- Minimum conductor cross section: 33.6mm²/2AWG
- Tightening torque: 42.4Nm/375lb.in.

GLX504-GLX505

- Maximum conductor cross section: 2x152mm²/2x300kcmil
- Minimum conductor cross section: 2x21.2mm²/2x4AWG
- Tightening torque: 22.6Nm/200lb.in.

GLX506-GLX507

- Maximum conductor cross section: 2x304mm²/2x600kcmil
- Minimum conductor cross section: 2x33.6mm²/2x2AWG
- Tightening torque: 22.6Nm/200lb.in.

GLDX501

- Maximum conductor cross section: 152mm²/300kcmil
- Minimum conductor cross section: 16mm²/6AWG
- Tightening torque: 42.4Nm/375lb.in.

Certifications and compliance

Certifications obtained: cULus

Compliant with standards: IEC/EN/BS 60947-1, IEC/EN/BS 60947-3.

Bridging bars



GLX2...



GLDX201

new

Order code	Characteristics	Qty per pkg	Wt
		n°	[kg]
One-pole bridging bars for changeover parallel connection.			
GLX201	3-piece set. Connection 3 poles. For GLC0100...GLC0315 and GLCMB0125...GLCMB0315	1	0.180
GLX202	4-piece set. Connection 4 poles. For GLC0100...GLC0315 and GLCMB0125...GLCMB0315	1	0.200
GLX206	3-piece set. Connection 3 poles. For GLC0320...GLC0630	1	0.190
GLX207	4-piece set. Connection 4 poles. For GLC0320...GLC0630	1	0.255
GLX208	3-piece set. Connection 3 poles. For Per GLC0631...GLC1000	1	0.850
GLX209	4-piece set. Connection 4 poles. For GLC0631...GLC1000	1	0.850
2-pole bridging bar for switch disconnectors for photovoltaic applications series connection.			
GLDX201 ①	2-piece set. Connection 2 poles. For GLD...T4...	1	0.120

① Bridging bar standard supplied with GLD...T4...

Spare motor operator



GLXM1...

new

Order code	Characteristics	Qty per pkg	Wt
		n°	[kg]
Spare motor operator for motorised changeover switches.			
GLXM1D024	For GLCM...D024	1	2.800
GLXM1E110	For GLCM...E110	1	2.800
GLXM1A230	For GLCM...A230	1	2.800

Communication device



CX01

Order code	Characteristics	Qty per pkg	Wt
		n°	[kg]
CX01	USB connection device PC ↔ GLCM with optical connector for programming, data download, diagnostics and firmware upgrade	1	0.090

General characteristics

For general characteristics of this accessory see section 35.

Handles and shafts



GLX61DB



GLX61D



GLX62DB



GLX61



GLX61B



GLX61CB



GLX00



GLX7...

new

new

new

new

Order code	Characteristics	Qty per pkg	Wt
		n°	[kg]
Direct operating handles.			
GLX61DB	For GL0100...GL0315, GLC0100...GLC0315 and GLD... Black	1	0.075
GLX61D	For GL0100...GL0315 and GLD... Red/yellow	1	0.095
GLX62DB	For GL0320...GL0630 and GLC0320...GLC0630. Black	1	0.140
GLX62D	For GL0320...GL0630. Red/yellow	1	0.170
GLX63DB	For GL0600...GL0800C1UL, GL0631...GL1000 and GLC0631...GLC1000. Black	1	0.210
GLX63D	For GL0600...GL0800C1UL and GL0631...GL1000. Red/yellow	1	0.260
Door coupling handles for switch disconnectors.			
GLX61	For GL0100...GL0315 and GLD... Screw fixing. 125mm/4.92" lever length pistol handle - defeatable (req. UL508A). Red/yellow. □10mm/0.39"	1	0.220
GLX61B	For GL0100...GL0315 and GLD... Screw fixing. 125mm/4.92" lever length pistol handle - defeatable (req. UL508A). Black. □10mm/0.39"	1	0.220
GLX62	For GL0320...GL0630. Screw fixing. 175mm/6.89" lever length pistol handle - defeatable (req. UL508A). Red/yellow. □10mm/0.39"	1	0.240
GLX62B	For GL0320...GL0630. Screw fixing. 175mm/6.89" lever length pistol handle - defeatable (req. UL508A). Black. □10mm/0.39"	1	0.240
GLX63	For GL0600...GL0800C1UL and GL0631...GL1000. Screw fixing. 175mm/6.89" lever length pistol handle - defeatable (req. UL508A). Red/yellow. □12mm/0.47"	1	0.310
GLX63B	For GL0600...GL0800C1UL and GL0631...GL1000. Screw fixing. 175mm/6.89" lever length pistol handle - defeatable (req. UL508A). Black. □12mm/0.47"	1	0.310
Door coupling handles for changeover switches.			
GLX61CB	For GLC0100...GLC0315. Screw fixing. 125mm/4.92" lever length pistol handle - defeatable (req. UL508A). Black. □10mm/0.39"	1	0.215
GLX62CB	For GLC0320...GLC0630. Screw fixing. 175mm/6.89" lever length pistol handle - defeatable (req. UL508A). Black. □10mm/0.39"	1	0.240
GLX63CB	For GLC0631...GLC1000. Screw fixing. defeatable, 175mm/6.89" - with release (req. UL508A). Black. □12mm/0.47"	1	0.310
Accessories for door coupling handles.			
GLX00	Shaft alignment ring	1	0.040
Shaft extensions for door coupling handles GLX61, GLX61B, GLX61CB, GLX62, GLX62B, GLX62CB, GLX63, GLX63B, GLX63CB			
GLX7150S10	150mm/5.90", □10mm/0.39"	1	0.150
GLX7200S10	200mm/7.87", □10mm/0.39"	1	0.190
GLX7300S10	300mm/11.81", □10mm/0.39"	1	0.270
GLX7400S10	400mm/15.75", □10mm/0.39"	1	0.350
GLX7500S10	500mm/19.68", □10mm/0.39"	1	0.430
GLX7150S12	150mm/5.90", □12mm/0.47"	1	0.180
GLX7200S12	200mm/7.87", □12mm/0.47"	1	0.240
GLX7300S12	300mm/11.81", □12mm/0.47"	1	0.360
GLX7400S12	400mm/15.75", □12mm/0.47"	1	0.480
GLX7500S12	500mm/19.68", □12mm/0.47"	1	0.600

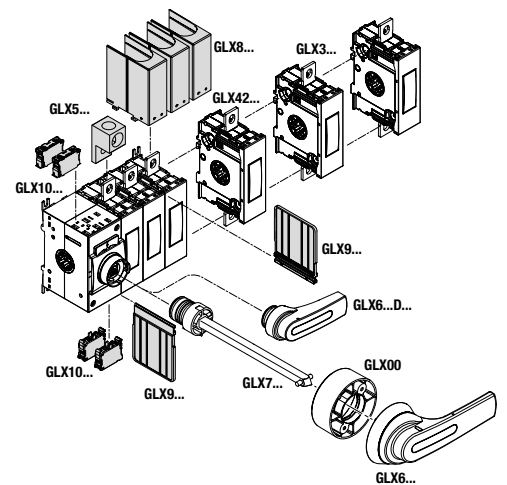
Operational characteristics for direct operating handles

- Snap-on mounting on switch disconnectors and changeover switches
- 1 to 3 padlocks in the Ø4...6mm/0.16...0.24".
- standard supplied with GLCM...

Operational characteristics for door coupling handles

- Handle fixing centres: 28x40mm/1.10x1.57"
- 1 to 3 padlocks in the Ø4...8mm/0.16...0.31"
- Tightening torque: 1.5Nm/13.3lb.in
- Degree of protection:
 - Per IEC/EN: IP66 and IP69K
 - Per UL: Type 1, 2, 3R, 12, 12K, 4, 4X external use.

Certifications and compliance
 Certifications obtained: cULus.
 Compliant with standards: IEC/EN 60947-1, IEC/EN 60947-3.



Switch disconnectors in metal enclosure IEC/EN/BS IP65



GLZM0160...GLZM0315...



GLZM0160...B...GLZM0315...B

Order	IEC conventional thermal current I _{th} AC21A (≤690V)	IEC rated operational current I _e AC23A (≤400V)	Qty per pkg	Wt
	[A]	[A]	n°	[kg]

THREE-POLE.
With red/yellow handle.

GLZM0160	160	160	1	9.750
GLZM0200	200	200	1	9.750
GLZM0250	250	250	1	9.750
GLZM0315	315	315	1	9.750

THREE-POLE.
With black handle.

GLZM0160B	160	160	1	9.750
GLZM0200B	200	200	1	9.750
GLZM0250B	250	250	1	9.750
GLZM0315B	315	315	1	9.750

FOUR-POLE.
With red/yellow handle.

GLZM0160T4	160	160	1	9.950
GLZM0200T4	200	200	1	9.950
GLZM0250T4	250	250	1	9.950
GLZM0315T4	315	315	1	9.950

FOUR-POLE.
With black handle.

GLZM0160T4B	160	160	1	9.950
GLZM0200T4B	200	200	1	9.950
GLZM0250T4B	250	250	1	9.950
GLZM0315T4B	315	315	1	9.950

Components ①

Enclosure	Switch disconnector	Handle
-----------	---------------------	--------

GLZM1	GL0160C1	GLX61
GLZM1	GL0200C1	GLX61
GLZM1	GL0250C1	GLX61
GLZM1	GL0315C1	GLX61

GLZM1	GL0160C1	GLX61B
GLZM1	GL0200C1	GLX61B
GLZM1	GL0250C1	GLX61B
GLZM1	GL0315C1	GLX61B

Enclosure	Switch disconnector	4th pole	Handle
GLZM1	GL0160C1	GLX420315	GLX61
GLZM1	GL0200C1	GLX420315	GLX61
GLZM1	GL0250C1	GLX420315	GLX61
GLZM1	GL0315C1	GLX420315	GLX61

GLZM1	GL0160C1	GLX420315	GLX61B
GLZM1	GL0200C1	GLX420315	GLX61B
GLZM1	GL0250C1	GLX420315	GLX61B
GLZM1	GL0315C1	GLX420315	GLX61B

① Extension shaft GLX7200S10 has to be added. Metal rod included has to be cut at 185mm/7.28" of total length.

General characteristics

- Enclosure material: painted sheet steel
- Padlockable handle
- Front door closing with screws and hinges on the right side of the enclosure
- Degree of protection: IP65
- Cable entry: smooth surfaces; can be drilled by customer.

Certifications and compliance

Compliant with standards: IEC/EN/BS 60947-3, IEC/EN/BS 60947-1.

Manual changeover switches in metal enclosure IEC/EN/BS IP65



GLZM0160ET...GLZM0315ET...

Order code	IEC conventional thermal current Ith AC21A (≤690V)	IEC rated operational current Ie		Qty per pkg	Wt [kg]
		AC33B (≤400V)	AC33B (≤500V)		
	[A]	[A]	[A]	n°	

3-pole line changeover switches I-O-II. Black handle.

GLZM0160ET6	160	160	160	1	11.780
GLZM0200ET6	200	200	200	1	11.780
GLZM0250ET6	250	250	250	1	11.780
GLZM0315ET6	315	315	250	1	11.780

4-pole line changeover switches I-O-II. Black handle.

GLZM0160ET8	160	160	160	1	12.180
GLZM0200ET8	200	200	200	1	12.180
GLZM0250ET8	250	250	250	1	12.180
GLZM0315ET8	315	315	250	1	12.180

Components ①

Enclosure	Changeover switch	Handle
-----------	-------------------	--------

GLZM1	GLC0160C1	GLX61CB
GLZM1	GLC0200C1	GLX61CB
GLZM1	GLC0250C1	GLX61CB
GLZM1	GLC0315C1	GLX61CB

Enclosure	Changeover switches	Handle
GLZM1	GLC0160T4C1	GLX61CB
GLZM1	GLC0200T4C1	GLX61CB
GLZM1	GLC0250T4C1	GLX61CB
GLZM1	GLC0315T4C1	GLX61CB

① Extension shaft GLX7150S10 has to be added. Metal rod included has to be cut at 92mm/3.62" of total length.

General characteristics

- Enclosure material: painted sheet steel
- Padlockable handle
- Front door closing with screws and hinges on the right side of the enclosure
- Degree of protection: IP65
- Cable entry: smooth surfaces; can be drilled by customer.

Certifications and compliance

Compliant with standards: IEC/EN/BS 60947-6-1, IEC/EN/BS 60947-1.

Empty metal enclosures IEC/EN/BS IP65



GLZM1

Order code	Enclosure dimensions	Qty per pkg	Wt [kg]

For switch disconnectors and changeover switches
Painted sheet steel enclosures.

GLZM1	300x400x250 (11.8x15.75x9.84)	1	5.700
-------	----------------------------------	---	-------

General characteristics

- Painted sheet steel enclosures
- Front door closing with screws and hinges on the right side of the enclosures
- Drilled cover for handle assembly
- Ground terminal included
- Degree of protection: IP65
- Cable entry: smooth surfaces; can be drilled by customer.

Compliance

Compliant with standards: IEC/EN/BS 60947-1.

Switch disconnectors
IEC/EN/BS
GA series



GA040D



GAX42...D

Order code	IEC conventional free air thermal current Ith	IEC rated operational current le DC21B①②			Qty per pkg	Wt [kg]
		3 poles 500V	4 poles 600V	800V		
	[A]	[A]	[A]	[A]	n°	[kg]

Switch disconnector complete with black handle.

GA040D	40	12	—	—	1	0.135
--------	----	----	---	---	---	-------

Fourth pole.

GAX42040D	40	—	20	15	1	0.040
-----------	----	---	----	----	---	-------

- ① Connection of 4 poles in series.
- ② For other operational voltages, refer to technical characteristics on page 12-97.

Switch disconnectors
IEC/EN/BS
GD series



GD040AT4

Order code	IEC conventional free air thermal current Ith	IEC rated operational current le DCPV1				Qty per pkg	Wt [kg]
		≤800V	1000V	1200V	1500V		
	[A]	[A]	[A]	[A]	[A]	n°	[kg]

Switch disconnector complete with black handle.

GD025AT2	25	25	16	—	—	1	0.140
----------	----	----	----	---	---	---	-------

GD025AT3	25	25	25	—	—	1	0.180
----------	----	----	----	---	---	---	-------

GD032AT3	32	32	32	—	—	1	0.180
----------	----	----	----	---	---	---	-------

GD032AT4	32	32	32	25	20	1	0.220
----------	----	----	----	----	----	---	-------

GD040AT3	40	40	32	—	—	1	0.180
----------	----	----	----	---	---	---	-------

GD040AT4	40	40	40	32	25	1	0.220
----------	----	----	----	----	----	---	-------

Plastic enclosed switch disconnectors
IEC/EN/BS
IP65



GAZ016DT2



GAZ040DT4

Order code	IEC conventional thermal current Ith	IEC rated operational current le DCPV1				Qty per pkg	Wt [kg]
		≤800V	1000V	1200V	1500V		
	[A]	[A]	[A]	[A]	[A]	n°	[kg]

With red/yellow handle.

GAZ025DT2	25	25	16	—	—	1	0.450
-----------	----	----	----	---	---	---	-------

GAZ032DT3	32	32	32	—	—	1	1.050
-----------	----	----	----	---	---	---	-------

GAZ040DT4	40	40	40	32	25	1	1.050
-----------	----	----	----	----	----	---	-------

With black handle.

GAZ025DT2B	25	25	16	—	—	1	0.450
------------	----	----	----	---	---	---	-------

GAZ032DT3B	32	32	32	—	—	1	1.050
------------	----	----	----	---	---	---	-------

GAZ040DT4B	40	40	40	32	25	1	1.050
------------	----	----	----	----	----	---	-------

General characteristics

- Up to 40A (1000VDC) and 32A (1200VDC)
- Modular construction
- Jumpers for connecting the poles in series supplied as standard with disconnectors GD series...
- Available versions:
 - Direct operating
 - Door coupling version. Use switch disconnector with direct actuator and separately purchase the handle and shaft extension for this version. See pages 14-18 to 14-20
- Screw or 35mm DIN rail fixing
- Padlockable in 0 position with no extra accessory.

Operational characteristics

- Rated insulation voltage for GA...D and GD... Ui: 1000V (pollution degree 3)
- Rated insulation voltage for GD... Ui: 1500V (pollution degree 2)
- Rated impulse withstand Uimp: 8kV
- Mechanical life:
 - 100,000 cycles GA040D
 - 10,000 cycles GD...
- Operating temperature: -25°C...+55°C
- Storage temperature: -40°C...+70°C
- Degree of protection: IP20 (only for GA040D).

Certifications and compliance

Strokes of GA...D types (main poles and add-on pole)

	Travel 0→1	0°	30°	60°	90°
GA040D Main poles				60°	
GAX42040D Simultaneous fourth-pole add on				60°	

Components

Enclosure	Switch disconnector	Handle included with GAZ...
GAZ1	GD025AT2	GAX61
GAZ2⑥	GD032AT3	GAX61
GAZ2⑥	GD040AT4	GAX61
GAZ1B	GD025AT2	GAX61B
GAZ2B⑥	GD032AT3	GAX61B
GAZ2B⑥	GD040AT4	GAX61B

- ⑥ For further details contact our Technical support; see contact details on inside front cover.

General characteristics

- Enclosure material: ABS
- Possible accessories to mount afterwards, if any required:
 - GAX30 to provide shielded cable connection continuity (e.g. with static converters)
- Padlockable handles
- Sealable cover
- Tightening torque for cover screws:
 - GAZ025...: 1.3Nm/16lb.in
 - Other types: 1.5Nm/13lb.in.
- Degree of protection: IP65
- Cable entry:
 - GAZ025... types: PG16/M25 and PG13.5/M20 knockouts
 - GAZ032... and GAZ040... types: PG16/M25 and PG29/M32 knockouts.

Certifications and compliance

Certifications obtained: EAC
Compliant with standards: IEC/EN/BS 60947-3, IEC/EN/BS 60947-1.

Switch disconnectors IEC/EN/BS GLD series



GLD...T2C3

new

Order code	IEC conventional free air thermal current Ith	IEC rated operational current Ie DCPV1			Qty per pkg	Wt [kg]
		800V [A]	1000V [A]	1500V [A]		
	[A]	[A]	[A]	[A]	n°	[kg]

Direct operating and door coupling versions.
Separately purchase the handle and shaft extension.

GLD0100T2C3	100	100	100	-	1	1.340
GLD0160T2C3	160	160	160	-	1	1.340
GLD0200T2C3	200	200	200	-	1	1.340
GLD0250T2C3	250	250	250	-	1	1.340
GLD0315T2C3	315	315	250	-	1	1.340
GLD0100T4C3	100	100	100	100	1	2.140
GLD0160T4C3	160	160	160	160	1	2.140
GLD0200T4C3	200	200	200	200	1	2.140
GLD0250T4C3	250	250	250	250	1	2.140
GLD0315T4C3	315	315	315	315	1	2.140

Selection of handles and accessories GLD series
Refer to the combinations given on page 14-56 and 57 for a correct choice based on the switch disconnector type used.

General characteristics

- Up to 315A 1500V DCPV1
- Up to 100A 1000V DCPV2 for GLD0315T2C3 and up to 125A 1500V DCPV2 for GLD0315T4C3
- Available versions:
 - Direct operating
 - Door coupling version. Use switch disconnector with direct actuator and separately purchase the handle and shaft extension for this version. See pages 14-56 and 57
- Screw or 35mm DIN rail fixing
- Padlockable in 0 position with no extra accessory.

Operational characteristics

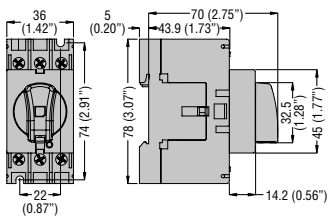
- IEC rated insulation voltage Ui: 1000V for GLD...T2...; 1500V for GLD...T4...
- Mechanical life: 20,000 cycles.

Certifications and compliance

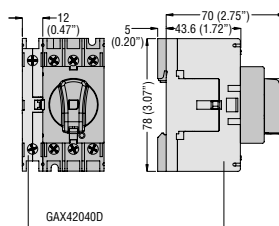
Certifications obtained: UL Listed for GLD...UL.
Compliant with standards: IEC/EN/BS 60947-1, IEC/EN/BS IEC/EN/BS 60947-3, UL98B.

GA SERIES SWITCH DISCONNECTORS

Direct operating version
GA040D

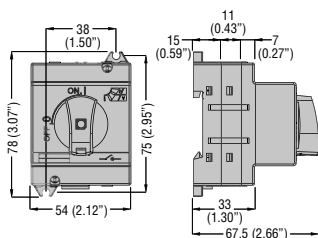


Fourth pole
GAX42040D

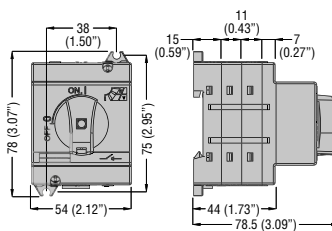


GD SERIES SWITCH DISCONNECTORS

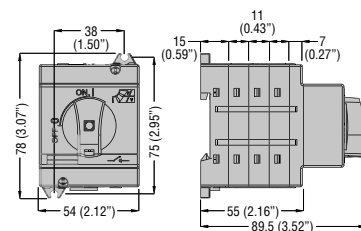
Direct operating version
GD...AT2



GD...AT3

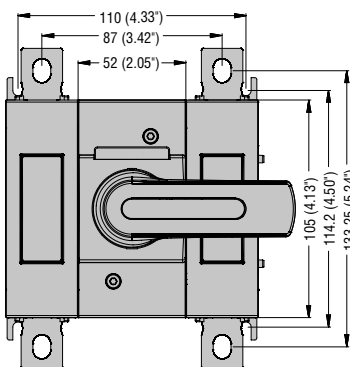


GD...AT4

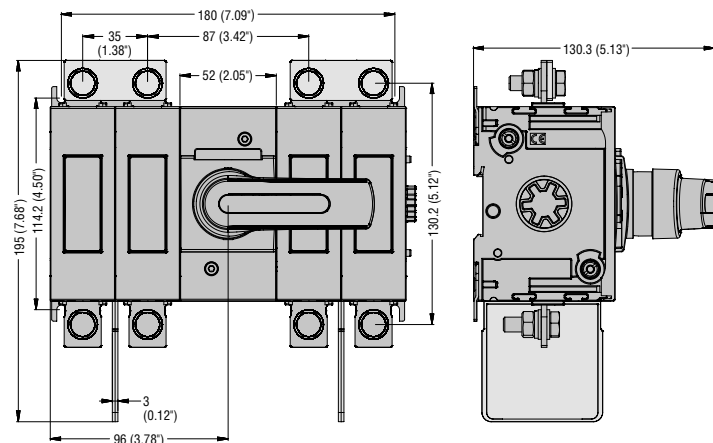
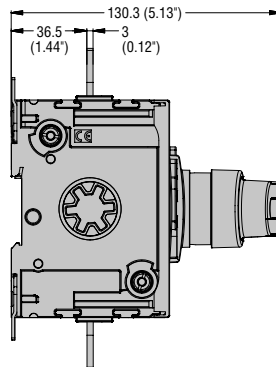


GLD SERIES SWITCH DISCONNECTORS

Direct operating version
GLD...T2C3



GLD...T4C3



Summary table of combinations - Switch disconnectors for photovoltaic applications GL series



IEC/EN/BS



Type	IEC conventional free air thermal current Ith	IEC rated operational current Ie DCPV1			Direct operating handle	
		800V	1000V	1500V	Black	Red/Yellow
Order code	[A]	[A]	[A]	[A]	Order code	Order code
IEC/EN/BS switch disconnectors for photovoltaic applications.						
GLD0100T2C3	100	100	100	-	GLX61DB	GLX61D
GLD0160T2C3	160	160	160	-		
GLD0200T2C3	200	200	200	-		
GLD0250T2C3	250	250	250	-		
GLD0315T2C3	315	315	250	-		
GLD0100T4C3	100	100	100	160		
GLD0160T4C3	160	160	160	160		
GLD0200T4C3	200	200	200	200		
GLD0250T4C3	250	250	250	250		
GLD0315T4C3	315	315	315	315		

● Maximum conductor cross section: 120mm²/250kcmil.
Minimum conductor cross section: 16mm²/6AWG.

Components for photovoltaic systems - please refer to the General Catalogue

Fuse holders for photovoltaic applications UL Listed / CSA certified up to 1000VDC



Fuse holders for photovoltaic applications up to 1500VDC



Type 1 and 2 for photovoltaic applications with plug-in cartridge



Fuse for photovoltaic applications up to 1000VDC



Fuse for photovoltaic applications up to 1500VDC



DC Switching contactors for photovoltaic applications





Door coupling handle		Shaft extensions for door coupling handles			Shaft alignment ring	Auxiliary contacts	Terminal covers	Phase barriers (standard supplied)	Terminal lugs	Bridging bars (standard supplied)	Captive nuts	
Black	Red/Yellow	Panel depth		Shaft section	Order code	Order code	Order code	Order code	Order code	Order code	Order code	
Order code	Order code	min [mm/in]	min [mm/in]	□ [mm/in]								
GLX61B	GLX61	GLX7150S10 GLX7200S10 GLX7300S10 GLX7400S10 GLX7500S10	124/ 4.88"	194/7.64" 244/9.61" 344/13.54" 444/17.48" 544/21.42"	10/0.4"	GLX00	GLX1001 (1NC) GLX1010EA (1EB)	GLX801 (4 pcs)	-	GLX500 (1 pcs)Ⓢ GLX501 (3 pcs)Ⓢ	-	GLDX550 (4 pcs)
								GLX801 (4 pcs) GLDX800 (2 pcs)	GLDX900 (2 pcs)		GLDX201 (2 pcs)	



Synergy offers a complete solution for the management of energy consumption with products capable of monitoring the network and state-of-the-art management of the loads and consumption of installations as well as automated reporting, saving valuable time and resource for your business.

Synergy is fully compliant with EN ISO 50001 "Energy Management systems" and also allows checks on all environmental and process information (operating status, alarms, etc.)

Quickly and easily create customisable pages with widgets for charts, data tables, measure indicators and alarm conditions with functionality to automate data reports, saving valuable time and effort.

GA SERIES - 16A TO 160A SWITCH DISCONNECTORS

Direct operating version

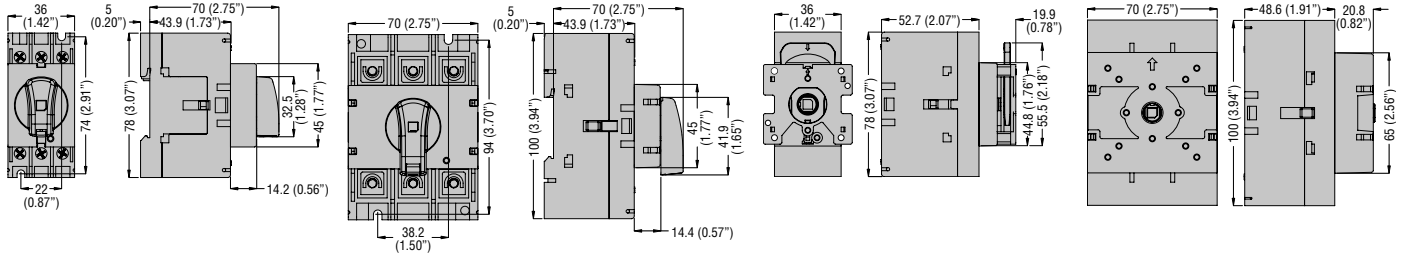
GA016A...GA040A...
GA063SA...

GA030A... - GA063A...GA160A...

Door mount version

GA016C...GA040C
GA063SC

GA030C - GA063C...GA160C



ADD-ON BLOCKS AND ACCESSORIES

For GA016A...GA040A..., GA063SA..., GA040D

Auxiliary contacts

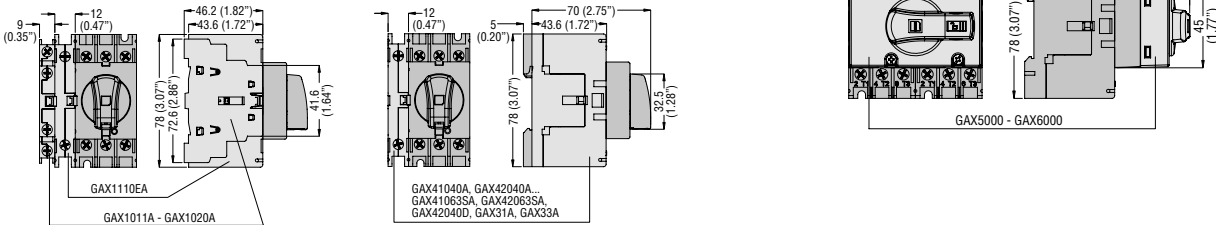
GAX1011A
GAX1020A
GAX1110EA

Fourth pole

GAX41040A - GAX42040A
GAX41063SA - GAX42063SA

Neutral GAX31A - earth/ground GAX33A terminals

Mechanical interlock GAX5000 and
mechanical coupling system GAX6000



For GA063A...GA160A

Auxiliary contacts

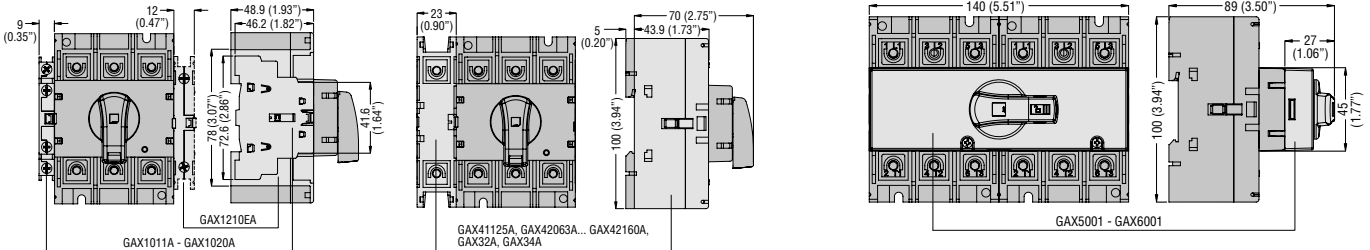
GAX1011A
GAX1020A
GAX1210EA

Fourth pole

GAX41125A
GAX42063A...GAX42160A

Neutral GAX32A - earth/ground GAX34A terminals

Mechanical interlock GAX5001 and
mechanical coupling system GAX6001



For GA016C...GA040C and GA063SC

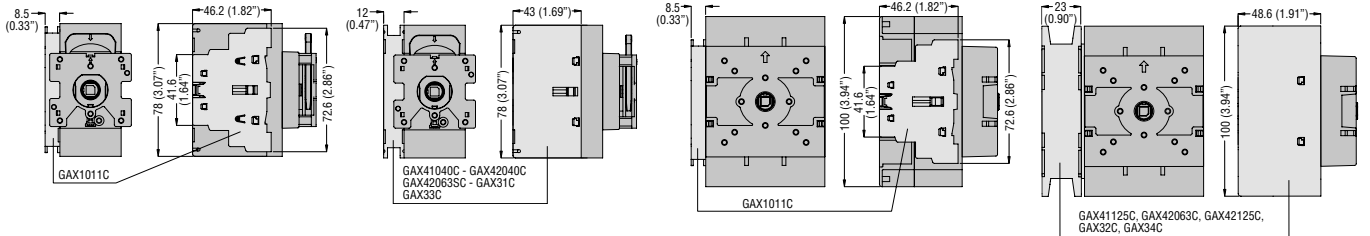
Auxiliary contacts
GAX1011C

Fourth pole GAX41040C - GAX42040C
and GAX42063SC
Neutral GAX31C
Earth/ground GAX33C terminals

For GA063C...GA160C

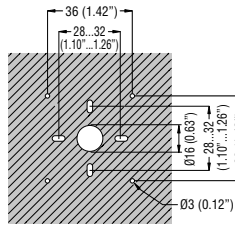
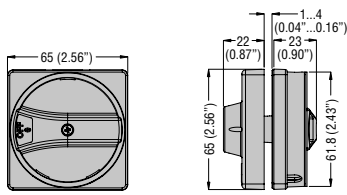
Auxiliary contacts
GAX1011C

Fourth pole GAX41125C - GAX42063C...
GAX42160C
Neutral GAX32C
Earth/ground GAX34C terminals

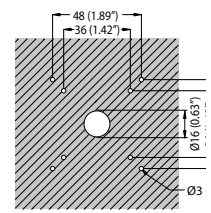
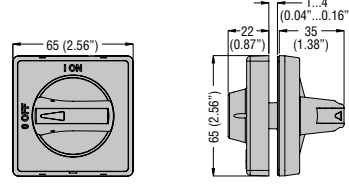


Handles

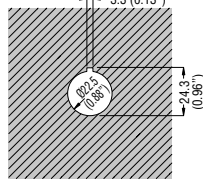
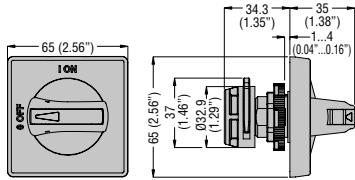
GAX61/61B



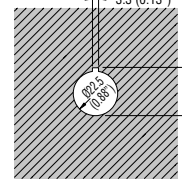
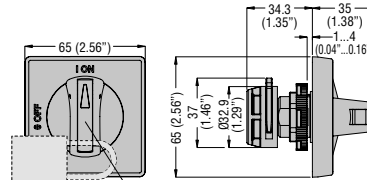
GAX62/62B



GAX63/63B/63K/63BK

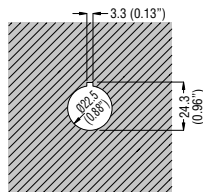
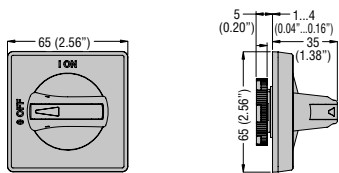


GAX631B

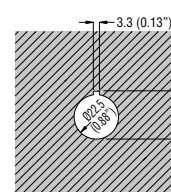
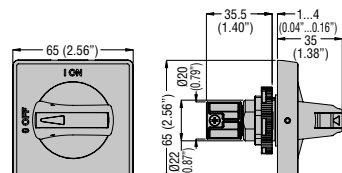


Padlockable at ON (≤3 padlocks)
per UNI 9490, UNI/EN 12845

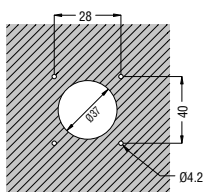
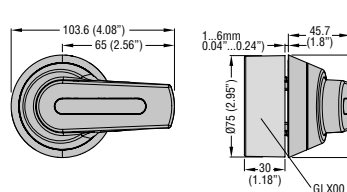
GAX632/2B



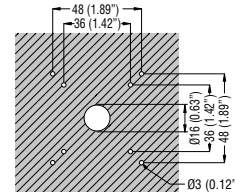
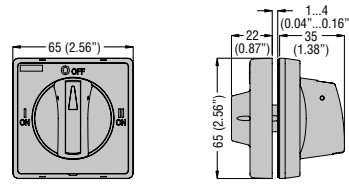
GAX64/64B



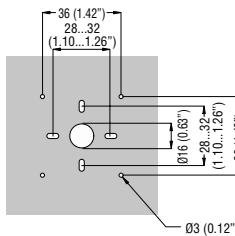
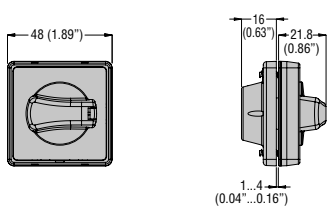
GAX66N/66NB



GAX67B

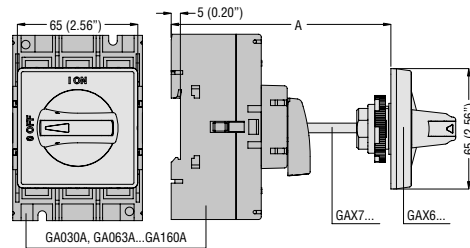
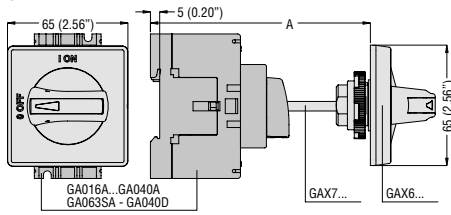


GAX68/68B



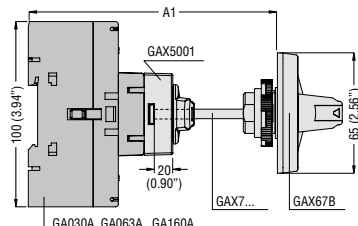
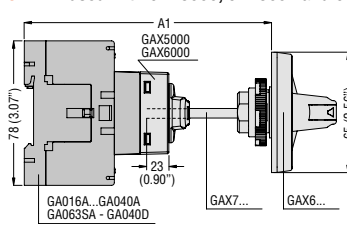
Shaft extensions for door coupling handles

GAX7...



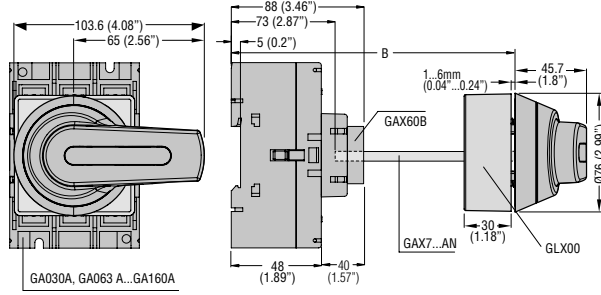
Extension	Length [mm (in)]	A [mm (in)] maximum					
		Type of handle					
		GAX61...	GAX62...	GAX63...	GAX64...	GAX67B	GAX68...
GAX7055	55 (2.16)	99 (3.90)	97 (3.82)	102 (4.01)	116 (4.57)	97 (3.82)	98.5 (3.88)
GAX7070	70 (2.75)	114 (4.49)	112 (4.41)	117 (4.61)	131 (5.16)	112 (4.41)	113.5 (4.47)
GAX7090	90 (3.54)	134 (5.27)	132 (5.20)	137 (5.39)	151 (5.94)	132 (5.20)	133.5 (5.25)
GAX7150	150 (5.90)	194 (7.64)	192 (7.56)	197 (7.75)	211 (8.31)	192 (7.56)	193.5 (7.62)
GAX7200	200 (7.87)	244 (9.61)	242 (9.53)	247 (9.72)	261 (10.27)	242 (9.53)	243.5 (9.59)
GAX7300	300 (11.81)	344 (13.54)	342 (13.46)	347 (13.66)	361 (14.21)	342 (13.46)	343.5 (13.52)
GAX7400	400 (15.75)	444 (17.48)	442 (17.40)	447 (17.60)	461 (18.15)	442 (17.40)	443.5 (17.46)
GAX7500	500 (19.68)	544 (21.42)	542 (21.34)	547 (21.53)	561 (22.09)	542 (21.34)	543.5 (21.40)

GAX7... used with GAX5000, GAX5001 and GAX6000

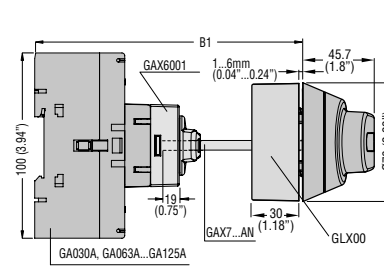


Extension	Length [mm (in)]	A1 [mm (in)] maximum					
		Used with GAX6000		Type of handle			
		GAX61...	GAX62...	GAX63...	GAX64...	GAX68...	GAX67B
GAX7055	55 (2.16)	116 (4.57)	114 (4.49)	119 (4.68)	133 (5.24)	115.5 (4.55)	114 (4.49)
GAX7070	70 (2.75)	131 (5.16)	129 (5.08)	134 (5.27)	148 (5.83)	130.5 (5.14)	129 (5.08)
GAX7090	90 (3.54)	151 (5.94)	149 (5.87)	154 (6.06)	168 (6.61)	150.5 (5.92)	149 (5.87)
GAX7150	150 (5.90)	211 (8.31)	209 (8.23)	214 (8.42)	228 (8.98)	210.5 (8.29)	209 (8.23)
GAX7200	200 (7.87)	261 (10.27)	259 (10.20)	264 (10.39)	278 (10.94)	260.5 (10.25)	259 (10.20)
GAX7300	300 (11.81)	361 (14.21)	359 (14.13)	364 (14.33)	378 (14.88)	360.5 (14.20)	359 (14.13)
GAX7400	400 (15.75)	461 (18.15)	459 (18.07)	464 (18.27)	468 (18.42)	460.5 (18.13)	459 (18.07)
GAX7500	500 (19.68)	561 (22.09)	559 (22.01)	564 (22.20)	578 (22.75)	560.5 (22.07)	559 (22.01)

GAX7...AN used with GAX60B and GAX66N/66NB



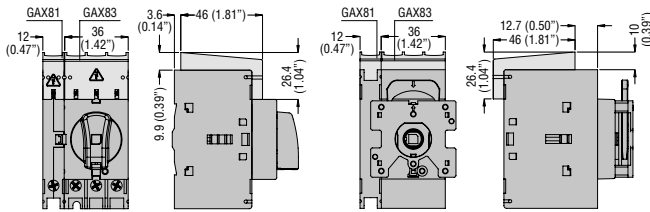
GAX7...AN used with GAX6001 and GAX66N/66NB



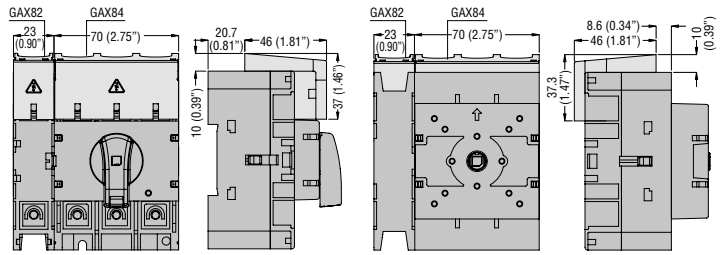
Extension	Length	B		B1
		with GAX66N/66NB handle		
	[mm(in)]	[mm(in)]	[mm(in)]	[mm(in)]
GAX7150AN	176 (7.00")	120...226 (4.72"...9.00")	120...223 (4.72"...8.80")	120...223 (4.72"...8.80")
GAX7200AN	226 (8.90")	120...276 (4.72"...10.87")	120...273 (4.72"...10.75")	120...273 (4.72"...10.75")
GAX7300AN	328 (12.91")	120...376 (4.72"...14.80")	120...373 (4.72"...14.68")	120...373 (4.72"...14.68")
GAX7400AN	426 (16.85")	120...476 (4.72"...18.74")	120...473 (4.72"...18.62")	120...473 (4.72"...18.62")
GAX7500AN	526 (20.79")	120...576 (4.72"...22.68")	120...573 (4.72"...22.56")	120...573 (4.72"...22.56")

Terminal covers

GAX81 - GAX83

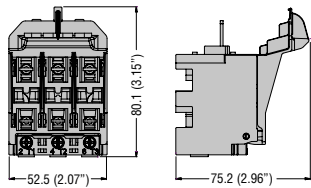


GAX82 - GAX84



Fuse holder

GAX391 - GAX391UL



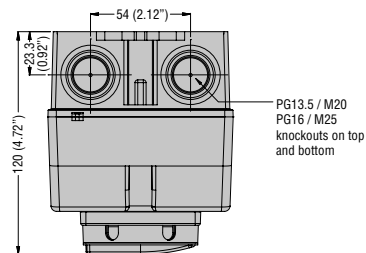
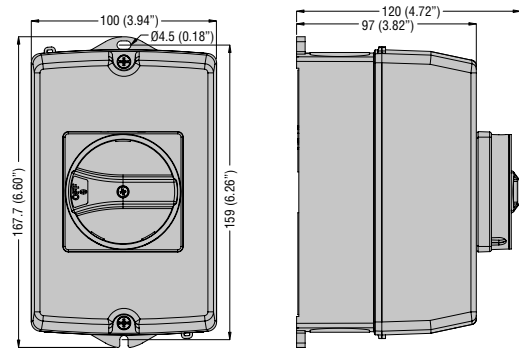
ENCLOSED SWITCH DISCONNECTORS AND EMPTY ENCLOSURES

GAZ016...GAZ040...

GAZ016...GAZ040...UL

GAZ1... - GAZ1...UL

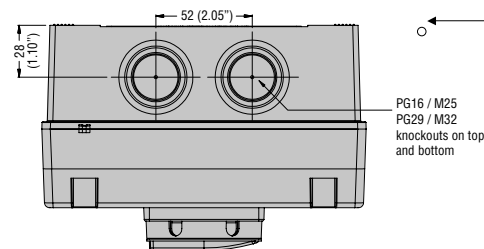
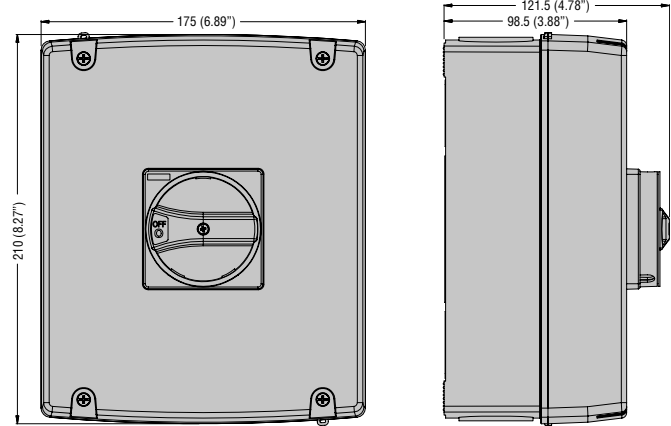
GAZ025D...



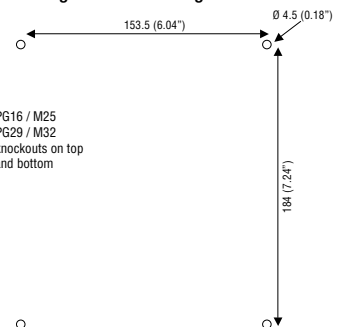
GAZ063SA...GAZ100C...

GAZ063SAUL...

GAZ2... - GAZ2...UL

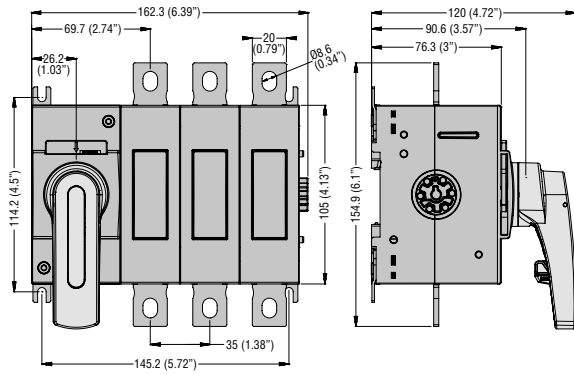


Drilling for surface fixing

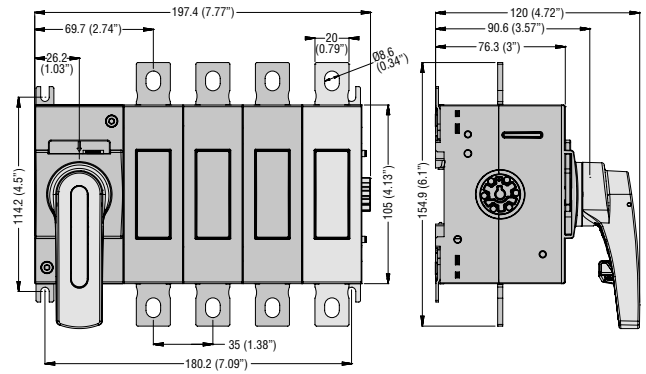


GL SERIES 100A TO 1000A SWITCH DISCONNECTORS

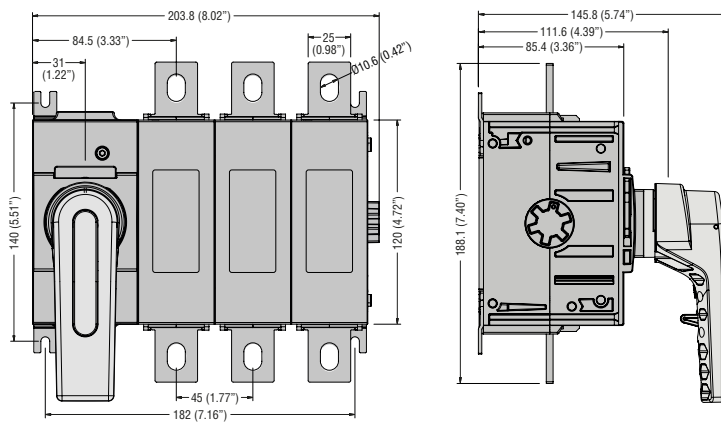
GL0160C1...GL0315C1



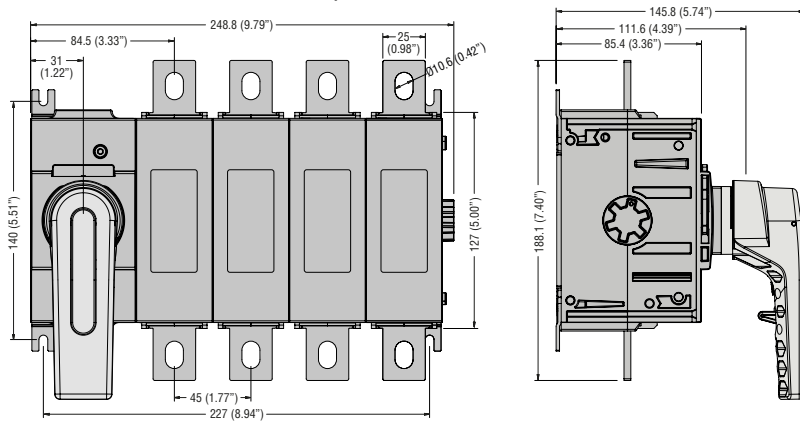
GL0160C1...GL0315C1 with add-on fourth pole GLX420315



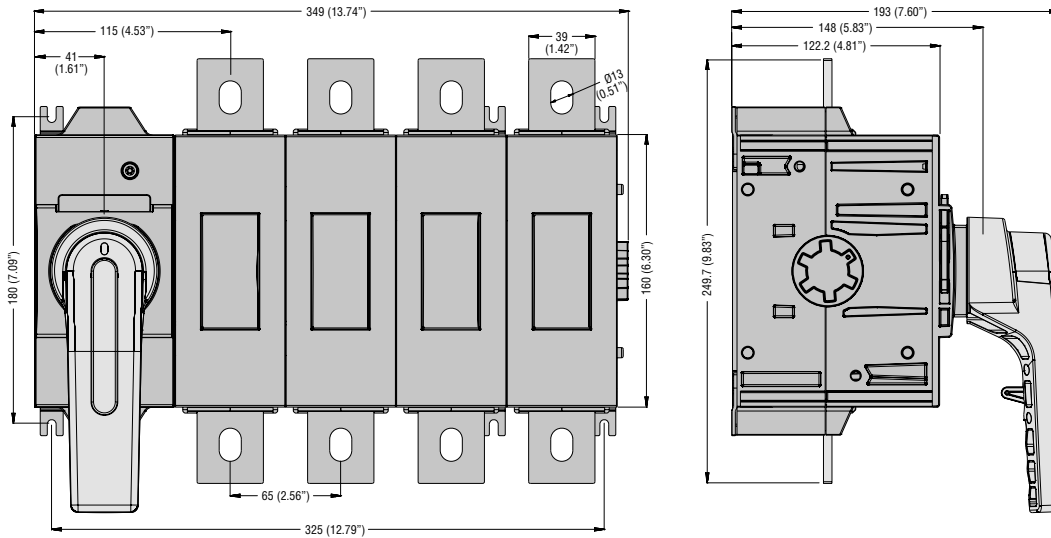
GL0320C1...GL0500C1



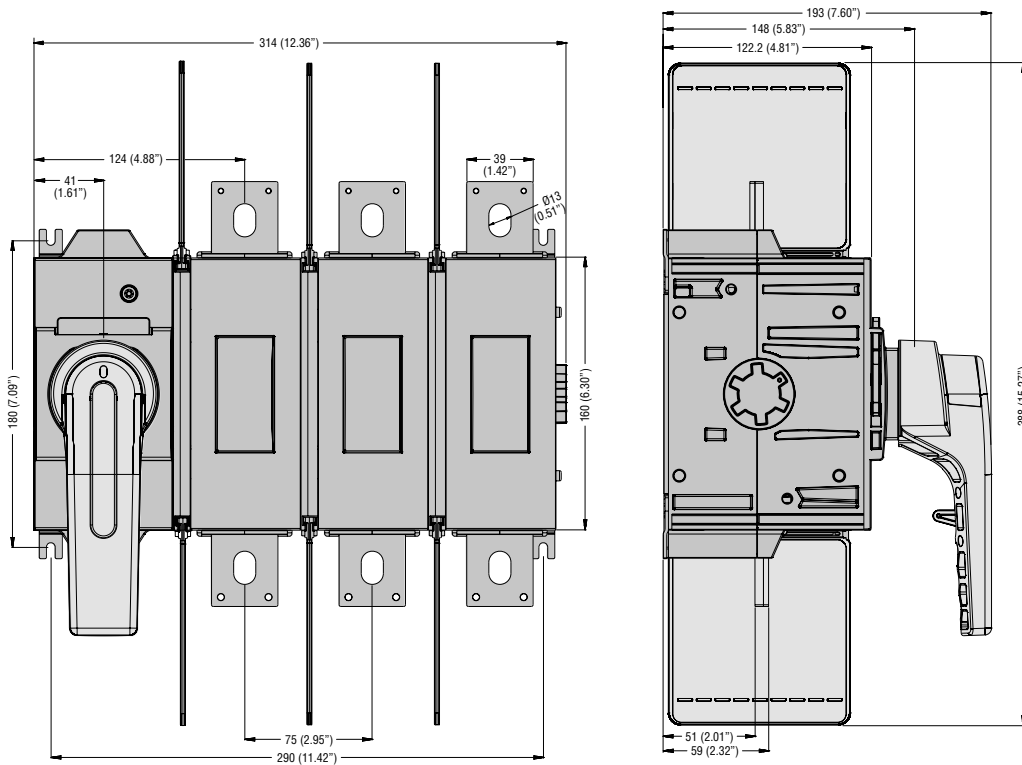
GL0320C1...GL0500C1 with add-on fourth pole GLX420320...0500



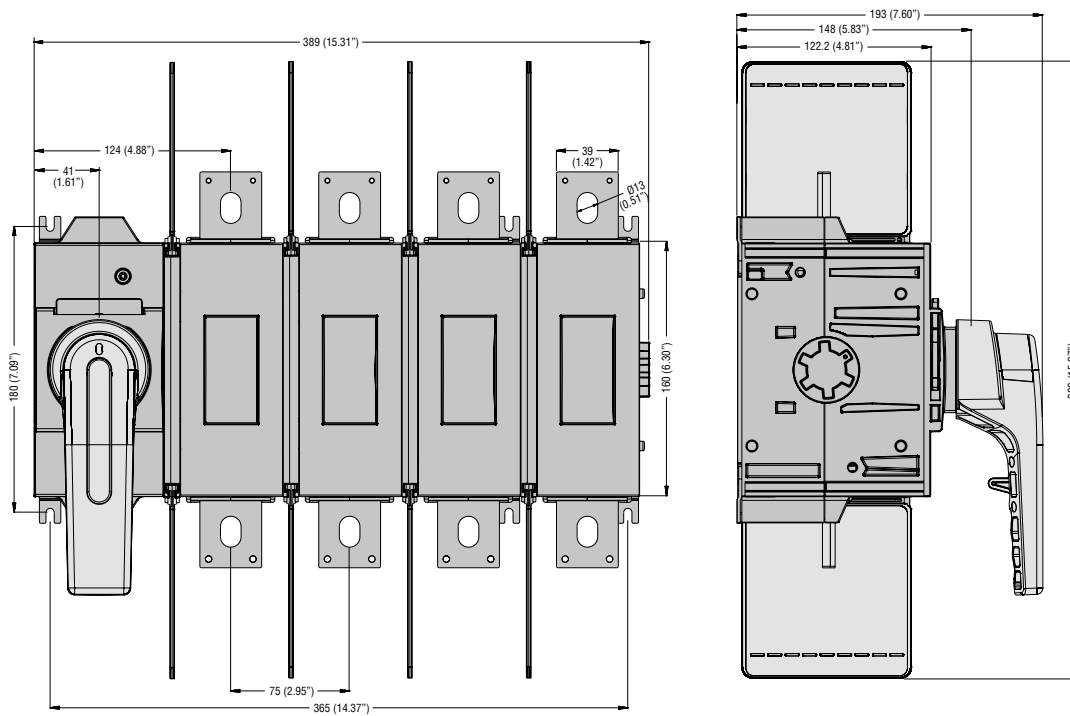
GL0631C1 - GL0800C1 with add-on fourth pole GLX420631 - GLX420800
GL0600C1UL with add-on fourth pole GLX420600UL



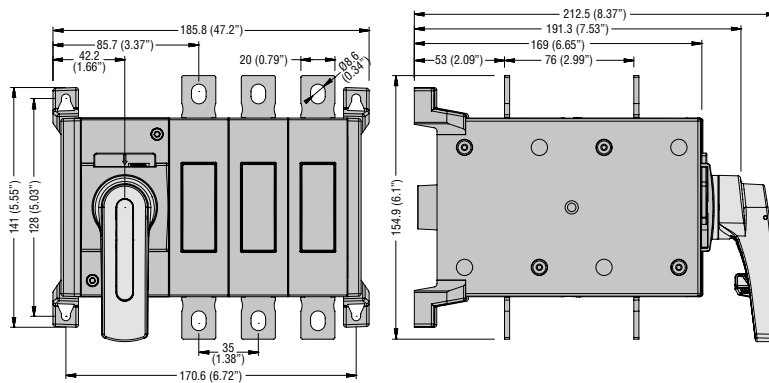
GL1000C1 - GL0800C1UL



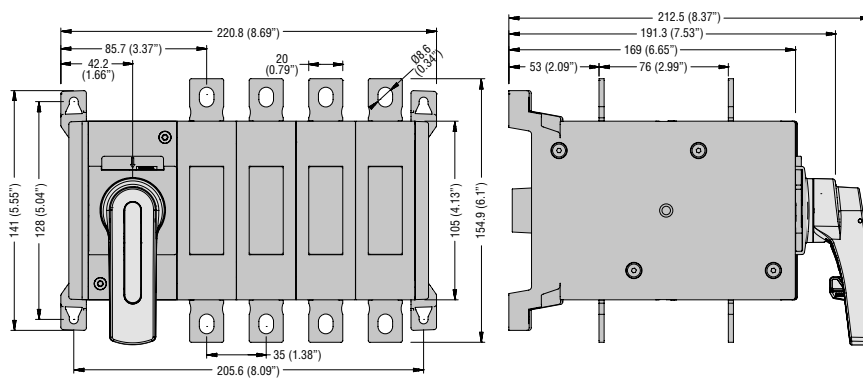
GL1000C1 with add-on fourth pole GLX421000
GL0800C1UL with add-on fourth pole GLX420800UL



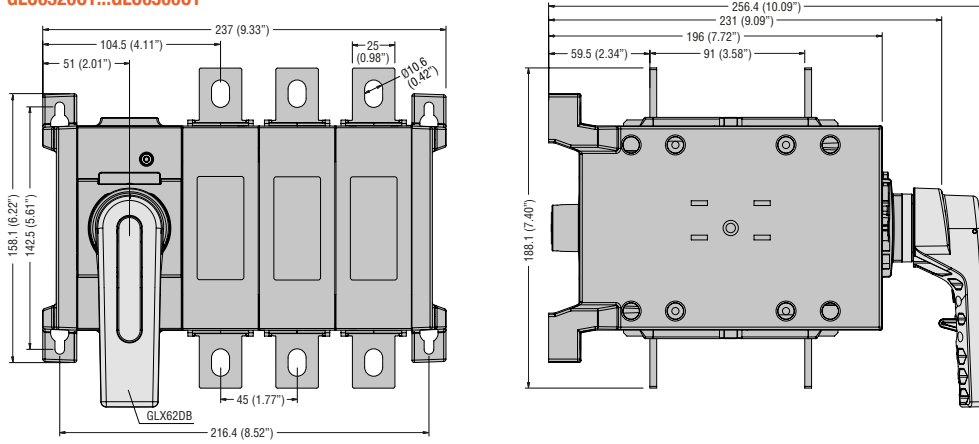
GLC0160C1...GLC0315C1



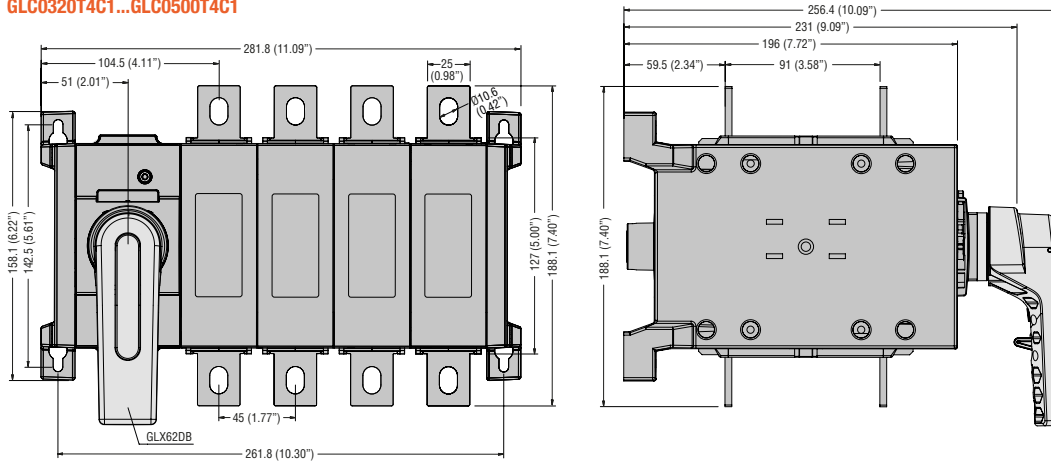
GLC0160T4C1...GLC0315T4C1



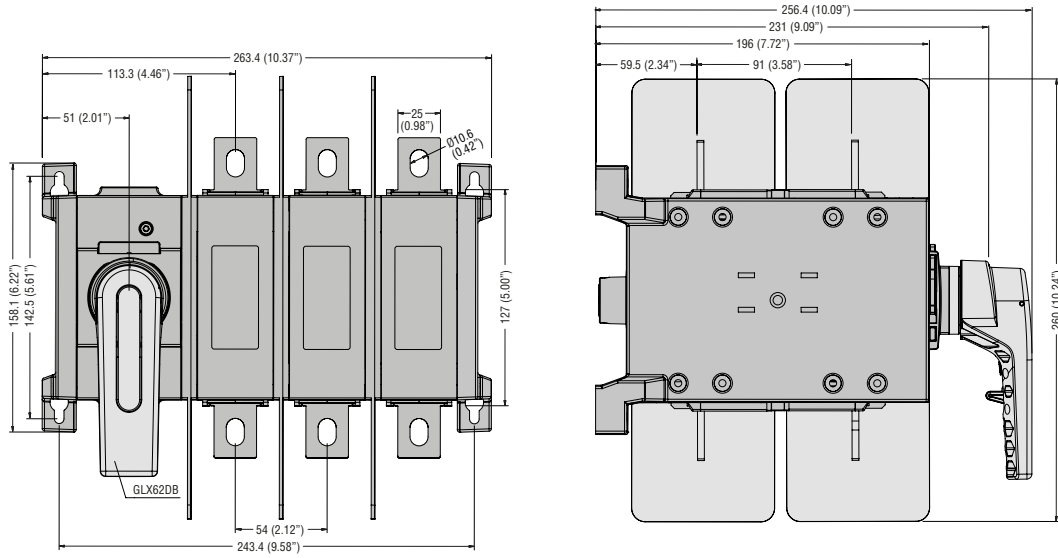
GLC0320C1...GLC0500C1



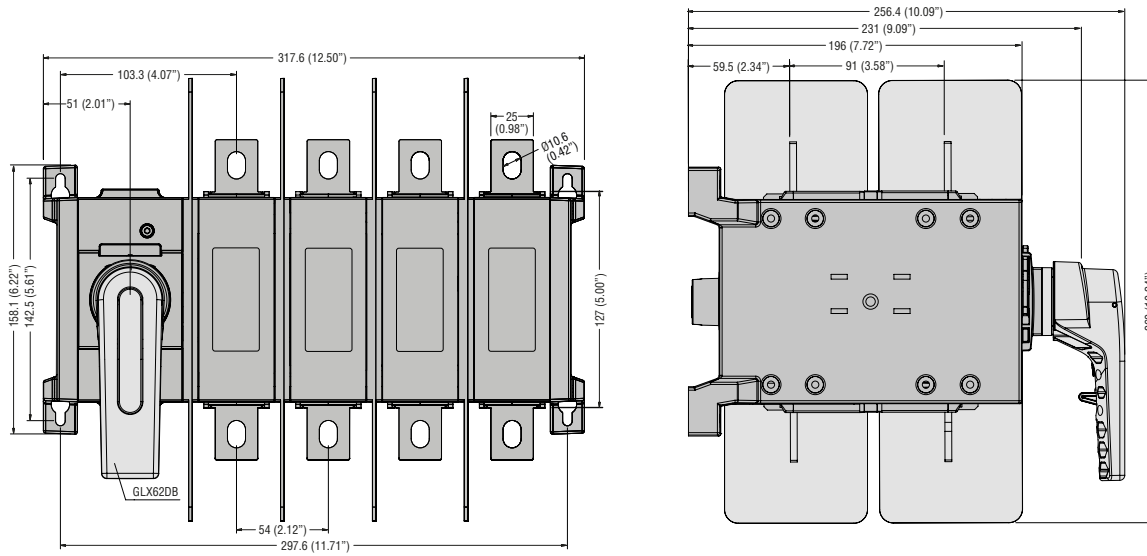
GLC0320T4C1...GLC0500T4C1



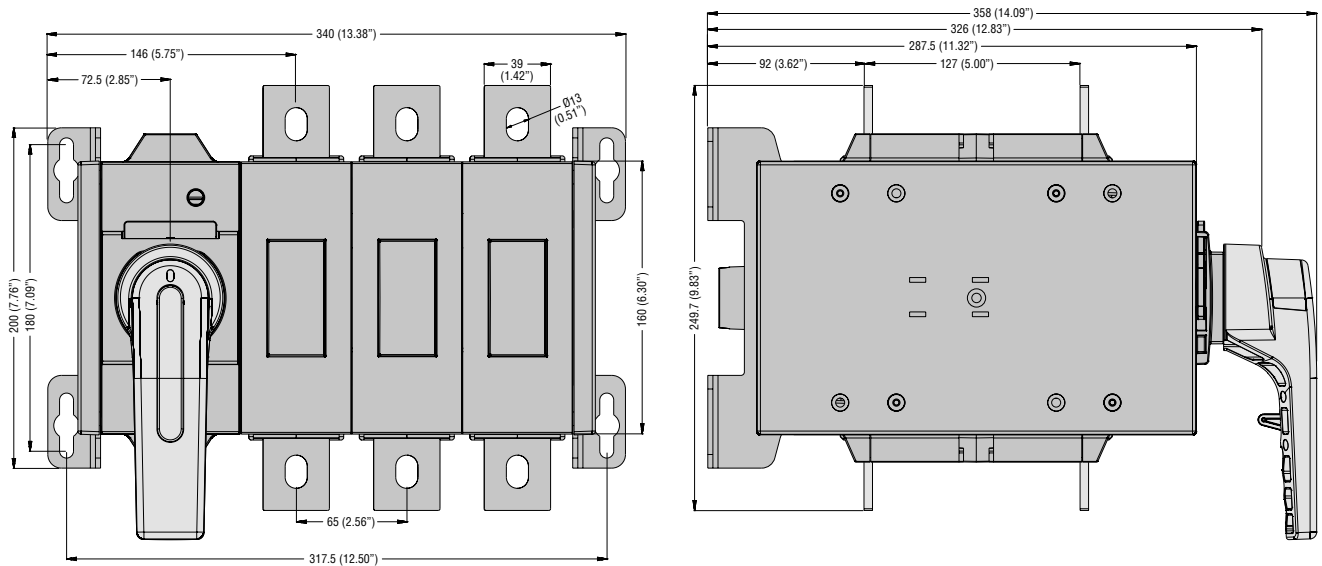
GLC0630C1 - GLC0400C1UL



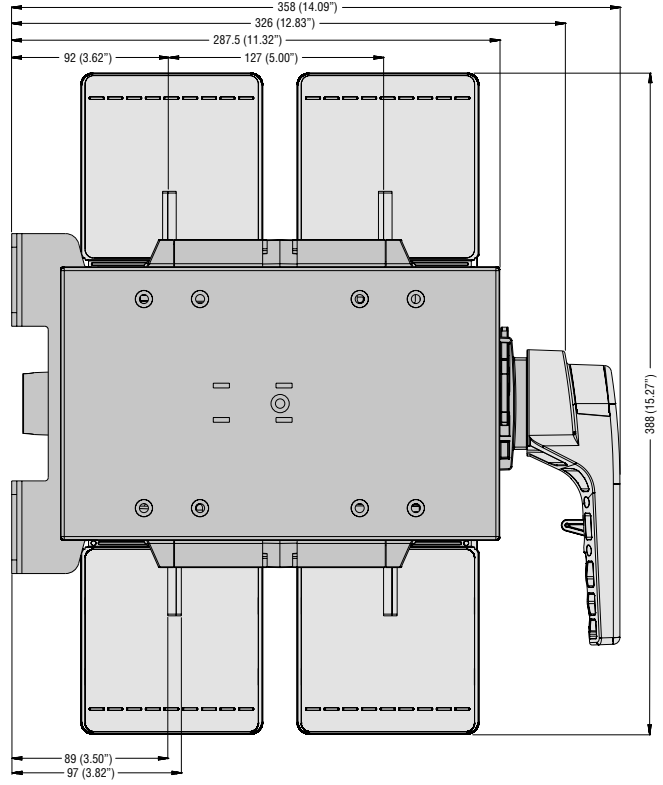
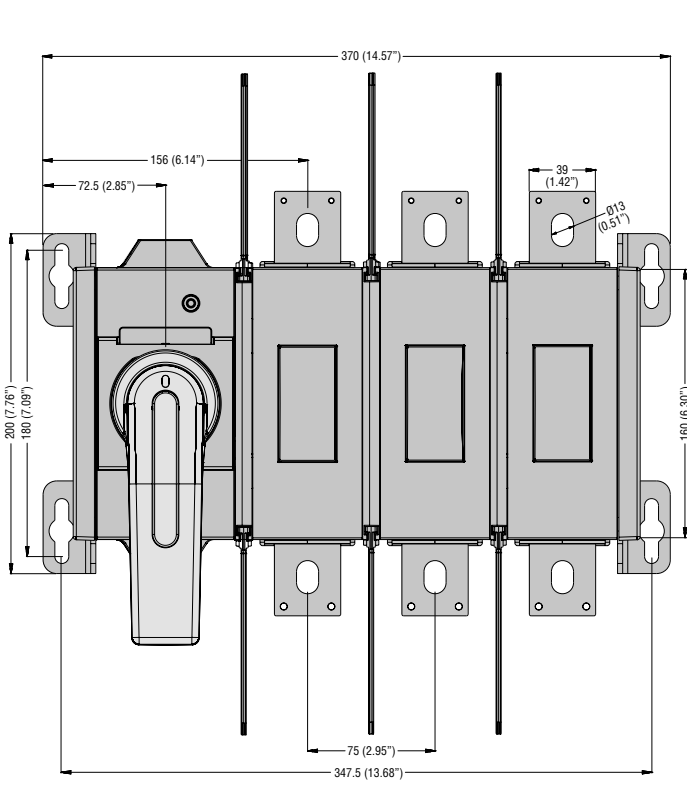
GLC0630T4C1 - GLC0400T4C1UL



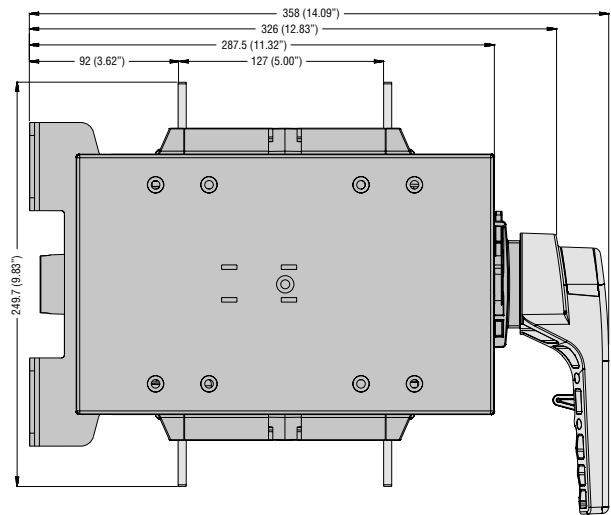
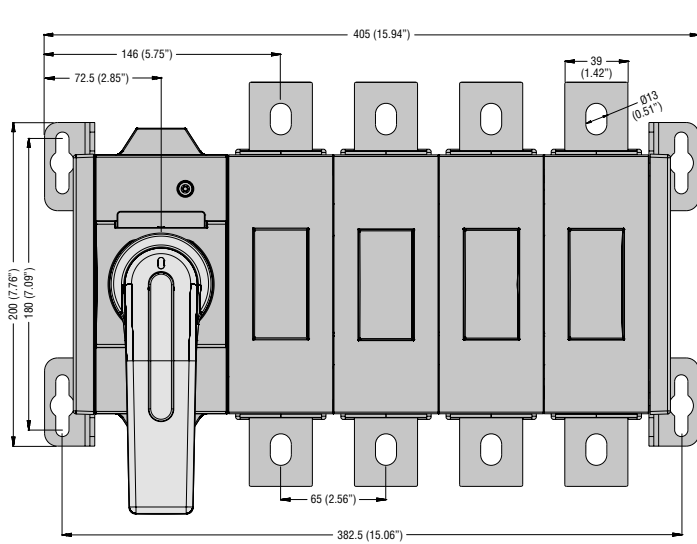
GLC0631C1 - GLC0800C1



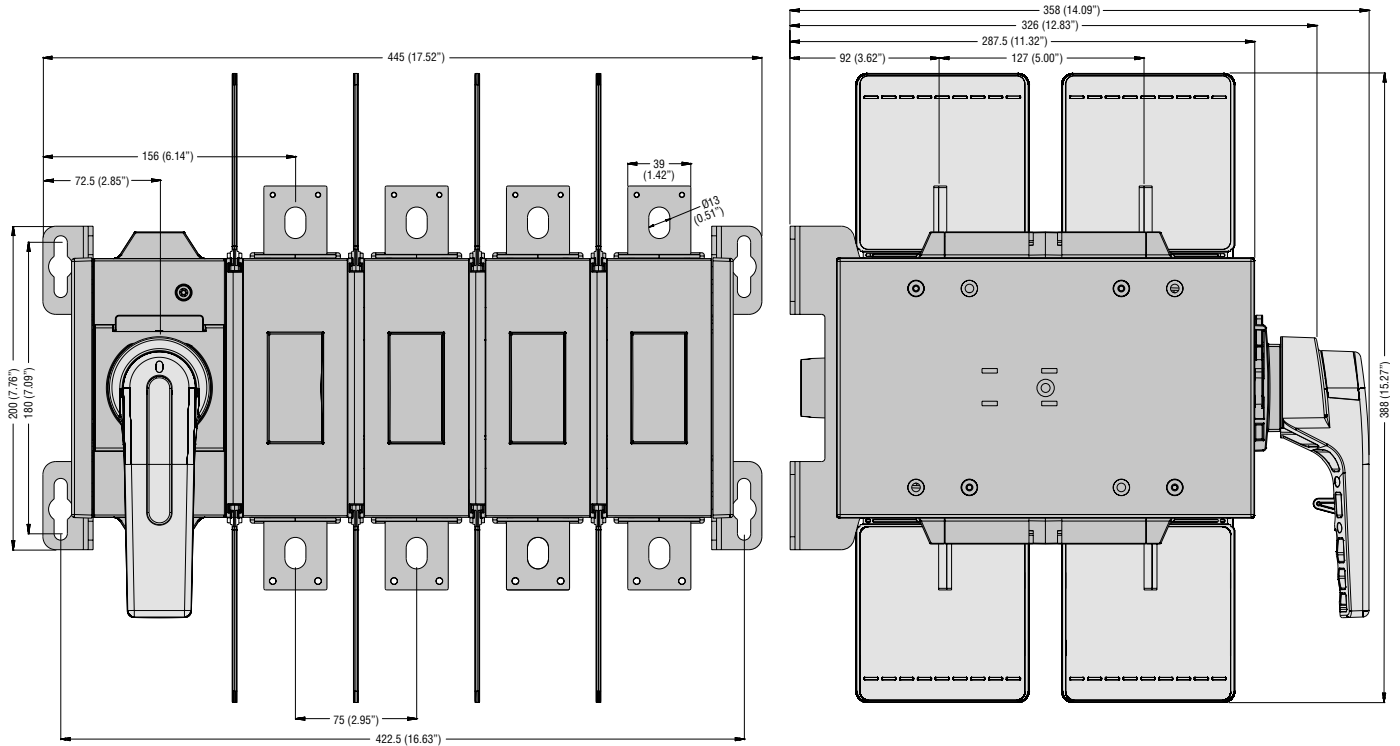
GLC1000C1



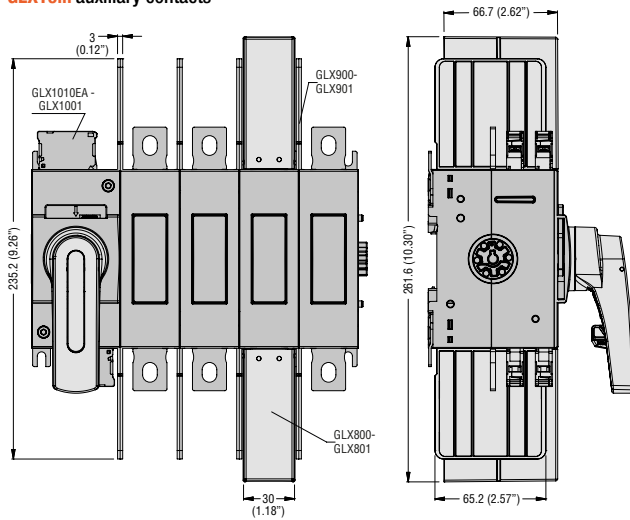
GLC0631T4C1 - GLC0800T4C1



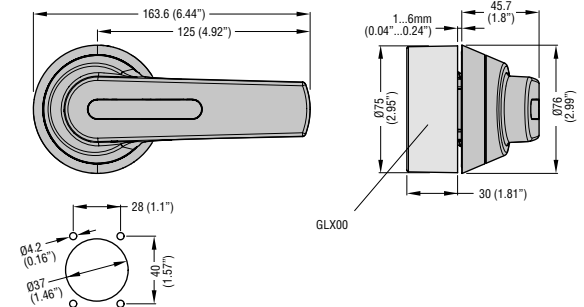
GLC1000T4C1



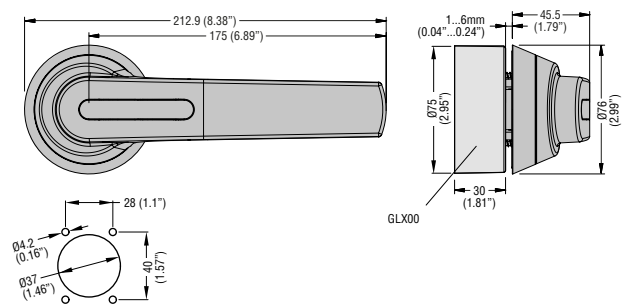
GLX800 - GLX801 terminal covers
GLX900 - GLX901 one-pole phase barrier
GLX10... auxiliary contacts



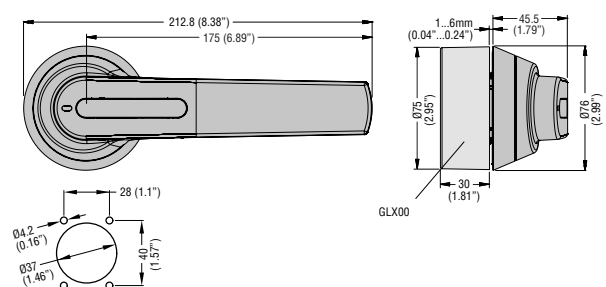
GLX61 - GLX61B - GLX61CB handles



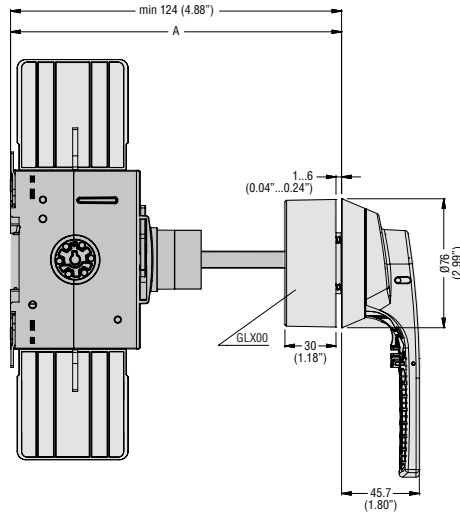
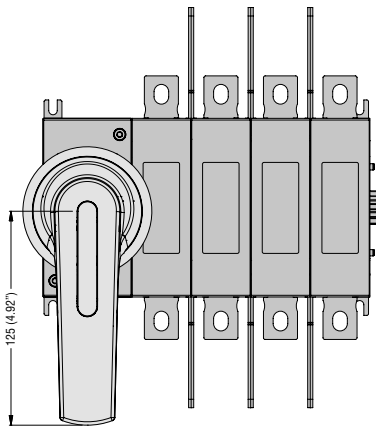
GLX62 - GLX62B - GLX62CB handles



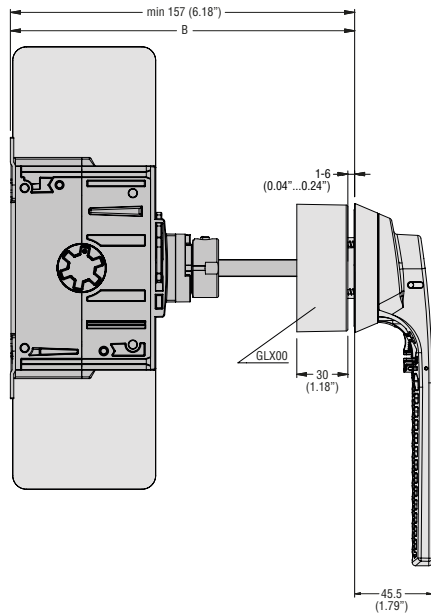
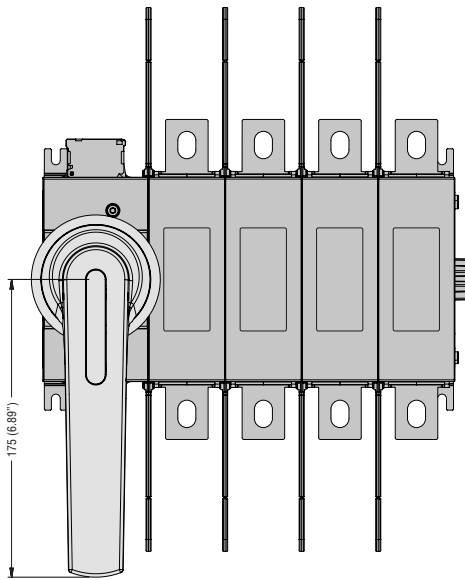
GLX63 - GLX63B - GLX63CB handles



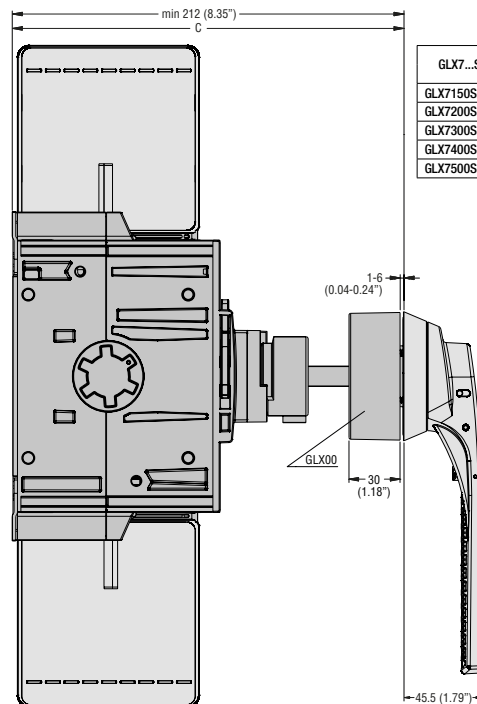
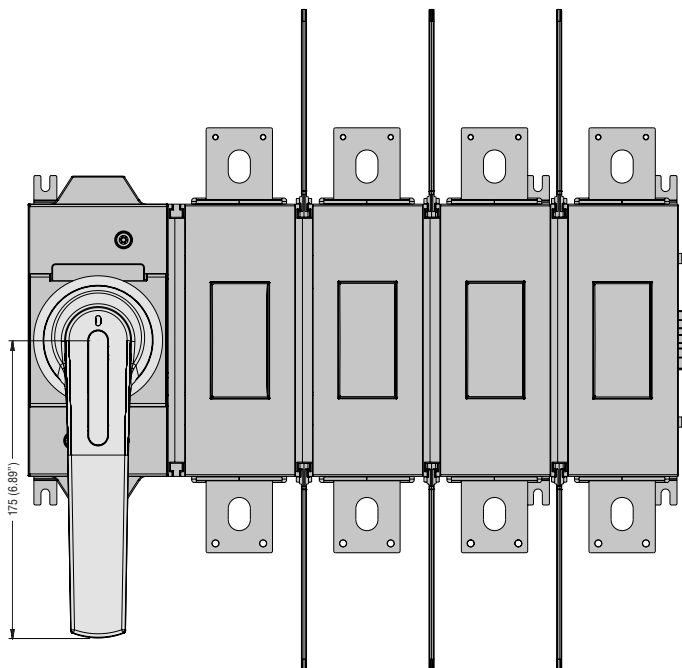
GLX7... shaft extensions for door coupling handles
GLX00 shaft alignment ring



GLX7...S10	A mm (in)	
	min	max
GLX7150S10	124...194	(4.88...7.64")
GLX7200S10	124...244	(4.88...9.61")
GLX7300S10	124...344	(4.88...13.54")
GLX7400S10	124...444	(4.88...17.48")
GLX7500S10	124...544	(4.88...21.42")

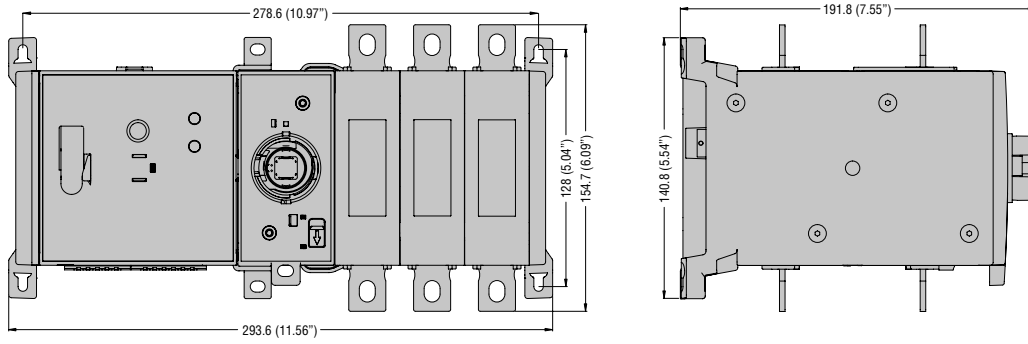


GLX7...S10	B mm (in)	
	min	max
GLX7150S10	157...227	(6.18...8.94")
GLX7200S10	157...277	(6.18...10.90")
GLX7300S10	157...377	(6.18...14.84")
GLX7400S10	157...477	(6.18...18.78")
GLX7500S10	157...577	(6.18...22.72")

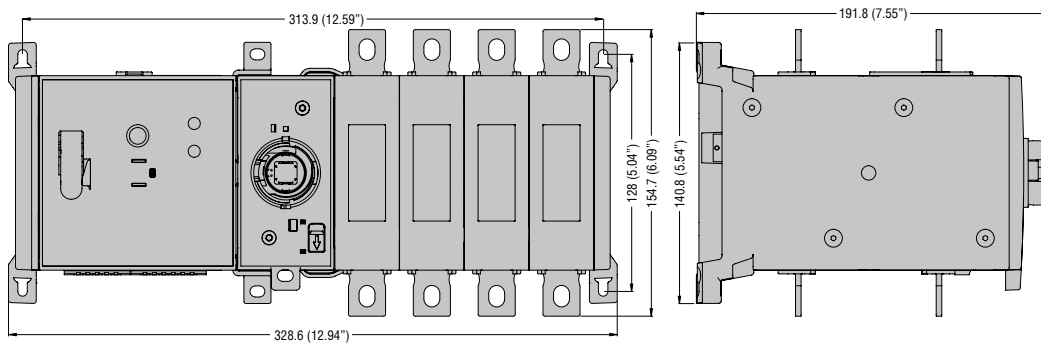


GLX7...S12	C mm (in)	
	min	max
GLX7150S12	212...232	(8.35...9.13")
GLX7200S12	212...282	(8.35...11.10")
GLX7300S12	212...382	(8.35...15.03")
GLX7400S12	212...482	(8.35...18.98")
GLX7500S12	212...582	(8.35...22.91")

GLCMB0125...GLCMB0315...



GLCMB0125T4...GLCMB0315T4...



TECHNICAL DATA ACCORDING TO IEC/EN/BS 60947 RATINGS

TYPE	3-pole	GA016...	GA025...	GA032...	GA040...	GA063S...	
	4-pole	GAX4...040...				GAX4...063S...	
CONTACT CHARACTERISTICS							
IEC conventional free air thermal current I _{th} (≤40°C)	A	16	25	32	40	63	
IEC rated insulation voltage U _i	V	1000					
IEC rated impulse withstand voltage U _{imp}	kV	8					
IEC rated operational current I _e							
AC21A	400V A	16	25	32	40	63	
	500V A	16	25	32	40	63	
	690V A	16	25	32	40	63	
AC22A	400V A	16	25	32	40	45	
	500V A	16	25	32	40	45	
	690V A	16	25	32	40	45	
AC23A	400V A	16	25	32	40	45	
	500V A	16	25	25	25	25	
	690V A	16	25	25	25	25	
Power dissipation	W/pole	0.2	0.4	0.6	1	2.9	
IEC rated operational power AC23A							
	400V kW	7.5	11	15	18.5	22	
	690V kW	11	22	22	22	22	
IEC reactive power for control of capacitors 400V	kvar	7.5	10	12.5	15	15	
SHORT CIRCUIT PROTECTION							
Conditional short-circuit current ^①	kA rms	10					
With fuse class gG	A	16	25	32	40	63	
Making capacity AC23A 400V	A	160	250	320	400	450	
Breaking capacity AC23A 400V	A	128	200	256	320	360	
Mechanical life	cycles	100,000					
Electrical life (AC21A)	cycles	100,000					15,000
Terminals	mm	Pillar terminal 5.6 x 6.5 - M4 Phillips 2					
Tightening torque	Nm	1.8...2					
	lb.in	16...18					
Conductor section min...max	mm ²	0.75...16					
	AWG	18...6					
AMBIENT CONDITIONS							
Temperature	Operating	°C					
	Storage	°C					
Maximum altitude	m	3000					
Mounting position	Normal	Vertical					
	Admissible	Any					
Fixing		Screw or 35mm DIN rail (IEC/EN 60715)					

① Ratings valid for three-pole switches. For more details contact our Technical support; see contact details on inside front cover.

TECHNICAL DATA ACCORDING TO UL/CSA RATINGS

TYPE		GA016...	GA025...	GA032...	GA040...	GA063SA	
Compliance	A	UL60947-4-1; CSA C22.2 n°60947-4-1					
General purpose current ratings	A	16	25	32	40	60	
Max operating voltage	V	600					
Horsepower ratings/ motor FLA current three-phase	240V HP/A	5/15.2	7.5/22	10/28	15/42	15/42	
	480V HP/A	10/14	15/21	20/27	20/27	30/40	
	600V HP/A	10/11	20/22	20/22	25/27	32/32	
Short circuit ratings	KA rms	5					
With fuse	class/A	RK5/30	RK5/30	RK5/35	RK5/45	RK5/45	
Minimum enclosure dimensions at rated current	mm (in)	—					

② Up to 480V with protection fuses type CC, J or T (200A max).

GA030...	GA063...	GA080...	GA100...	GA125...	GA160...
GAX4...063...		GAX4...080...	GAX4...100...	GAX4...125...	GAX4...160...
30	63	80	100	125	160
1000					
8					
30	63	80	100	125	160
30	63	80	100	125	160
30	63	80	100	125	160
30	63	80	100	125	125
30	63	80	100	125	125
30	63	80	100	125	125
30	63	80	100	125	125
30	63	63	80	100	100
30	47	47	47	47	47
0.4	1.6	2.6	4	6.3	12
15	30	45	55	55	55
30	45	45	45	45	45
12.5	25	30	40	50	50

50					
63	63	80	100	125	160
300	630	800	1000	1250	1250
240	504	640	800	1000	1000
30,000					
30,000					1,500
Pillar terminal 12.4 x 10.4 - M8 Metric Allen key 4					
5...6					
45...54					
4...70					
12...1					
-25...+55					
-40...+70					
3000					
Vertical					
Any					
Screw or 35mm DIN rail (IEC/EN 60715)					

GA030...	GA063...	GA080...	GA100...	GA125...	—
UL98; CSA C22.2 n°4					
30	60	100	100	100	—
600					
10/28	20/54	25/68	30/80	30/80	—
20/27	40/52	40/52	50/65	60/77	—
30/32	40/41	40/41	50/52	60/62	—
100⌀					
J/60	J/60	J/100	J/100	J/100	—
150 x 140 x 110 (5.90 x 5.51 x 4.33)					

TECHNICAL DATA ACCORDING TO IEC/EN/BS 60947

TYPE	3-pole	GL0160...	GL0200...	GL0250...	GL0315...	
	4-pole	GLX420315				
CONTACT CHARACTERISTICS						
IEC conventional free air thermal current I _{th} (≤40°C)	A	160	200	250	315	
IEC rated insulation voltage U _i	V	1000				
IEC rated impulse withstand U _{imp}	kV	12				
IEC rated operational current I _e AC21A	A	160	200	250	315	
	400V					
	500V	A	160	200	250	315
AC22A	690V	A	160	200	250	315
	400V	A	160	200	250	315
	500V	A	160	200	250	315
AC23A	690V	A	160	200	250	315
	400V	A	160	200	250	315
	500V	A	160	200	250	250
690V	A	160	200	250	250	
Power dissipation	W/pole	3.2	4	6.5	6.5	
IEC rated operational power AC23A	400V	kW	90	110	140	140
	690V	kW	144	200	250	250
IEC reactive power for control of capacitors 400V	kvar	80	100	115	145	

SHORT CIRCUIT PROTECTION

Rated short-time current I _{cs}	(1s)	A	6		
	(0.3s)	A	12		
Conditional short-circuit current	kA rms	100			
With fuse class gG	A	160	200	250	315
Making capacity AC23A 400V	A	1600	2000	2500	2500
Breaking capacity AC23A 400V	A	1280	1600	2000	2000
Mechanical life	cycles	20,000			
Terminal for busbars	mm	M8 x 20			
Tightening torque	Nm	15...22			
	lb.in	132...194			
Conductor section min...max	mm ²	70...185			
	AWG/ Kcmil	00...400			

AMBIENT CONDITIONS

Temperature	Operating	°C	-25...+55		
	Storage	°C	-40...+70		
Maximum altitude	m	3000			
Mounting position	Normal	Vertical			
	Admissible	Any			
Fixing	By screw. For GL0160...315 also on 35mm DIN rail (IEC/EN 60715)				

① For more details contact our Technical support; see contact details on inside front cover.

TECHNICAL DATA ACCORDING TO UL/CSA RATINGS

TYPE	3-pole	GL0100C1UL	GL0200C1UL	—	—
	4-pole	GLX420100UL	GLX420200UL	—	—
Compliance		UL98 CSA C22.2 N°4	UL98 CSA C22.2 N°4	—	—
General purpose current ratings	A	100	200	—	—
Maximum operating voltage	V	600	600	—	—
Horsepower ratings /motor FLA current three-phase	HP/A	30/80	75/192	—	—
	240V				
	480V	HP/A	75/96	150/180	—
600V	HP/A	100/99	200/192	—	—
Short circuit rating	KA rms	200	200	—	—
With fuse	class/A	J/100	J/200	—	—
Terminal kit lugs		GLX500-GLX501	GLX500-GLX501	—	—
Minimum enclosure dimensions at rated current	mm (in)	400 x 250 x 150 (15.8 x 9.9 x 5.9)	400 x 250 x 150 (15.8 x 9.9 x 5.9)	—	—

GL0320... GLX420320	GL0400... GLX420400	GL0500... GLX420500	GL0630... GLX420630	GL0631... GLX420631	GL0800... GLX420800	GL1000... GLX421000
320	400	500	630	630	800	1000
1000				1000		
12				12		
320	400	500	630	630	800	1000
320	400	500	630	630	800	1000
320	400	500	630	630	800	1000
320	400	500	50	630	800	1000
320	400	500	500	630	800	800
320	400	500	630	630	800	1000
320	400	500	500	630	800	1000
320	400	500	500	630	800	800
20.8	26.0	32.5	41.0	25	40	63
160	200	250	355	355	400	560
315	400	500	50	630	800	800
145	180	200	250	—	—	—

12.5				20		
20				—		
80				80		50
355	400	500	630	630	800	1000
3200	4000	5000	6300	6300	8000	10000
2560	3200	4000	5040	5040	6400	8000
10,000				5,000		
M10 x 25				M12 x 40		
30...37				50...75		
265...327				442...664		
1 x 185...2 x 185				2 X 185... 4 X 300		
1 x 400...2 x 350				2 X 350... 4 X 600		

-25...+55
-40...+70
3000
Vertical
Any
By screw

—	GL0400C1UL	—	—	GL0600C1UL	GL0800C1UL	—
—	GLX420400UL	—	—	GLX420600UL	GLX420800UL	—
—	UL98 CSA C22.2 N°4	—	—	UL98 CSA C22.2 N°4		—
—	400	—	—	600	800	—
—	600	—	—	600		—
—	125/312	—	—	200/480	250/604	—
—	250/302	—	—	450/515	500/590	—
—	350/336	—	—	500/472	500/600	—
—	100	—	—	100		—
—	J/400	—	—	J/600	L/800	—
—	GLX502-GLX503	—	—	GLX506-GLX507		—
—	950 x 350 x 200 (37.4 x 13.8 x 7.9)	—	—	750 x 600 x 250 (29.5 X 23.6 X 9.8)	1000 x 1200 x 300 (39.4 X 47.2 X 11.8)	—

TECHNICAL DATA ACCORDING TO IEC/EN/BS 60947

TYPE	3-pole	GLC0160...	GLC0200...	GLC0250...	GLC0315...
	4-pole	GLC0160T4...	GLC0200T4...	GLC0250T4...	GLC0315T4...

CONTACT CHARACTERISTICS

IEC conventional free air thermal current I _{th} (≤40°C)	A	160	200	250	315	
IEC rated insulation voltage U _i	V	1000				
IEC rated impulse withstand U _{imp}	kV	12				
IEC rated operational current I _e						
AC31B	400V	A	160	200	250	315
	500V	A	160	200	250	315
	690V	A	160	200	250	315
AC32B	400V	A	160	200	250	315
	500V	A	160	200	250	315
	690V	A	160	200	250	315
AC33B	400V	A	160	200	250	315
	500V	A	160	200	250	250
	690V	A	160	200	250	250
Power dissipation	W/pole	3.2	4	6.5	6.5	
IEC rated operational power						
AC23A	400V	kW	90	110	140	140
	690V	kW	144	200	250	250

SHORT CIRCUIT PROTECTION

Rated short-time current I _{cs}	(1s)	kA rms	6		
	(0.3s)	kA rms	12		
Conditional short-circuit current		kA rms	100		
With fuse class gG	A	160	200	250	315
Making capacity AC23A 400V	A	1600	2000	2500	2500
Breaking capacity AC23A 400V	A	1280	1600	2000	2000
Mechanical life	cycles	20,000			
Terminal for busbars	mm	M8 x 20			
Tightening torque	Nm	15...22			
	lb.in	132...194			
Conductor section min...max	mm ²	70...185			
	AWG/ Kcmil	00...400			

AMBIENT CONDITIONS

Temperature	Operating	°C	-25...+55		
	Storage	°C	-40...+70		
Maximum altitude	m	3000			
Mounting position	Normal	Vertical			
	Admissible	Any			
Fixing	By screw				

● For more details contact our Technical support; see contact details on inside front cover.

TECHNICAL DATA ACCORDING TO UL/CSA RATINGS

TYPE		GLC0100...UL	GLC0200...UL	—	—
Compliance	A	UL1008 CSA C22.2 N°4	UL1008 CSA C22.2 N°4	—	—
General purpose current ratings	A	100	200	—	—
Maximum operating voltage	V	600	600	—	—
Horsepower ratings /motor FLA current three-phase	240V	HP/A	30/80	75/192	—
	480V	HP/A	75/96	150/180	—
	600V	HP/A	100/99	200/192	—
Short circuit ratings	KA rms	100	100	—	—
With fuse	class/A	J/100	J/200	—	—
Terminal kit lugs		GLX500-GLX501	GLX500-GLX501	—	—
Minimum enclosure dimensions at rated current	mm (in)	400 x 250 x 150 (15.8 x 9.9 x 5.9)	400 x 250 x 150 (15.8 x 9.9 x 5.9)	—	—

GLC0320... GLC0320T4...	GLC0400... GLC0400T4...	GLC0500... GLC0500T4...	GLC0630... GLC0630T4...	GLC0631... GLC0631T4...	GLC0800... GLC0800T4...	GLC1000... GLC1000T4...
320	400	500	630	630	800	1000
1000				1000		
12				12		
320	400	500	630	630	800	1000
320	400	500	630	630	800	1000
320	400	500	630	630	800	1000
320	400	500	630	630	800	1000
320	400	500	500	630	800	1000
320	400	500	500	630	800	800
320	400	500	630	630	800	1000
320	400	500	500	630	800	1000
320	400	500	500	630	800	800
20.8	26.0	32.5	41.0	25	40	63
160	200	250	355	355	400	560
315	400	500	500	630	800	800

12.5				20		
20				-		
80				80		
355	400	500	630	630	800	1000
3200	4000	5000	6300	6300	8000	10000
2560	3200	4000	5040	5040	6400	8000
10,000				5,000		
M10 x 25				M12 x 40		
30...37				50...75		
265...327				442...664		
1 x 185...2 x 185				2 X 185... 4 X 300		
1 x 400...2 x 350				2 X 350... 4 X 600		

-25...+55
-40...+70
3000
Vertical
Any
By screw

—	GLC0400...UL	—	—	—	—	—
—	UL1008 CSA C22.2 N°4	—	—	—	—	—
—	400	—	—	—	—	—
—	600	—	—	—	—	—
—	125/312	—	—	—	—	—
—	250/302	—	—	—	—	—
—	350/336	—	—	—	—	—
—	100	—	—	—	—	—
—	J/400	—	—	—	—	—
—	GLX502-GLX503	—	—	—	—	—
—	950 x 350 x 260 (37.4 x 13.8 x 10.3)	—	—	—	—	—

TECHNICAL DATA ACCORDING TO IEC/EN/BS 60947

TYPE	3-pole	GLCMB0125...	GLCMB0160...	GLCMB0200...	GLCMB0250...	GLCMB0315...
	4-pole	GLCMB0125T4...	GLCMB0160T4...	GLCMB0200T4...	GLCMB0250T4...	GLCMB0315T4...

CONTACT CHARACTERISTICS

IEC conventional free air thermal current I _{th} (≤40°C)	A	125	160	200	250	315	
IEC rated insulation voltage U _i	V	1000					
IEC rated impulse voltage withstand U _{imp}	kV	12					
IEC rated operational current I _e							
AC31B	400V	A	125	160	200	250	315
	500V	A	125	160	200	250	315
	690V	A	125	160	200	250	315
AC32B	400V	A	125	160	200	250	315
	500V	A	125	160	200	250	315
	690V	A	125	160	200	250	315
AC33B	400V	A	125	160	200	250	315
	500V	A	125	160	200	250	250
	690V	A	125	160	200	250	250
Power dissipation	W/pole	1.8	3.2	4	6.5	6.5	
IEC rated operational power							
AC23A	400V	kW	55	90	110	140	140
	690V	kW	110	144	200	250	250

SHORT CIRCUIT PROTECTION

Rated short-time current I _{cs}	(1s)	kA rms	6			
	(0.3s)	kA rms	12			
Conditional short-circuit current		kA rms	100			
With fuse class gG	A	125	160	200	250	315
Making capacity AC23A 400V	A	1250	1600	2000	2500	2500
Breaking capacity AC23A 400V	A	1000	1280	1600	2000	2000
Mechanical life		cycles	20,000			
Terminals		mm	M8 x 20			
Tightening torque		Nm	15...22			
		lb.in	132...194			
Conductor section min...max		mm ²	70...185			
		AWG/ Kcmil	00...400			

AMBIENT CONDITIONS

Temperature	Operating	°C	-25...+55			
	Storage	°C	-40...+70			
Maximum altitude		m	3000			
Mounting position	Normal		Vertical			
	Admissible		Any			
Fixing			Screw			

MOTOR CHARACTERISTICS ①

TYPE		GLCMB...D024	GLCMB...E110	GLCMB...A230
Rated auxiliary supply voltage	V	24VDC	110...125VAC/DC	208...277VAC
Operating voltage range	V	19.2...31.2VDC	77...165VAC/DC	166...332VAC
Transition time I-0, 0-I	ms	720...1080		
Transition time II-0, 0-II	ms	720...1080		
Transition time I-0-II, II-0-I	s	1.2...1.8	1.6...2.4	1.2...1.8
Rated current I _n	A	2.7...3.3	0.72...0.88	0.36...0.44
In-rush current	A	5.4...6.6	1.8...2.2	0.9...1.1

① For more details contact our Technical support; see contact details on inside front cover.

TECHNICAL DATA ACCORDING TO UL/CSA RATINGS

TYPE		GLCMB0100...UL	GLCMB0200...UL	
Compliance	A	UL1008 CSA C22.2 N°4	UL1008 CSA C22.2 N°4	
General purpose current ratings	A	100	200	
Maximum operating voltage	V	600	600	
Horsepower ratings /motor FLA current three-phase	240V	HP/A	30/80	75/192
	480V	HP/A	75/96	150/180
	600V	HP/A	100/99	200/192
	Short circuit ratings	KA rms	100	100
With fuse	class/A	J/100	J/200	
Terminal kit lugs		GLX500-GLX501	GLX500-GLX501	
Minimum enclosure dimensions at rated current	mm (in)	400 x 250 x 150 (15.8 x 9.9 x 5.9)	400 x 250 x 150 (15.8 x 9.9 x 5.9)	

TYPE	3-pole	GA040D	GD025AT2	GD025AT3	GD032AT3	GD032AT4	GD040AT3	GD040AT4	
	4th pole	GAX42040D	—	—	—	—	—	—	
CONTACT CHARACTERISTICS									
IEC conventional free air thermal current I _{th} (≤40°C)	A	40	25	25	32	32	40	40	
IEC rated insulation voltage U _i	V	1000	1000 / 1500 ^①						
IEC rated impulse withstand U _{imp}	kV	8							
IEC rated operational current I _e DC21B ^②									
	≤800V	A	—	25	25	32	32	40	
	1000V	A	—	16	25	32	32	40	
	①1200V	A	—	—	—	—	25	3	
	①1500V	A	—	—	—	—	20	25	
2 poles in series	300V	A	16	—	—	—	—	—	
3 poles in series	48V	A	40	—	—	—	—	—	
	110V	A	35	—	—	—	—	—	
	220V	A	32	—	—	—	—	—	
	500V	A	12	—	—	—	—	—	
4 poles in series	400V	A	35	—	—	—	—	—	
	440V	A	32	—	—	—	—	—	
	500V	A	32	—	—	—	—	—	
	600V	A	20	—	—	—	—	—	
	700V	A	15	—	—	—	—	—	
	750V	A	15	—	—	—	—	—	
	800V	A	15	—	—	—	—	—	
	Power dissipation	W/pole	1.0	0.8		1.2		1.9	
Mechanical life	cycles	100,000	10,000						
Terminals	type	Mantle							
		Screw with washer							
	A mm	5.6							
	B mm	6.5							
	Screw	M4							
	Tool	Phillips 2				Phillips 1			
Tightening torque	Nm	1.8...2				1.2...1.6			
	lb.in	16...18				10...14			
Conductor section min.-max.	mm ²	0.75...16				1...10			
	AWG	18...6				18...8			
AMBIENT CONDITIONS									
Temperature	Operating	°C	-25...+55						
	Storage	°C	-40...+70						
Maximum altitude	m	3,000	2,000						
Mounting position	Normal	Vertical							
	Admissible	Any							
Fixing	Screw or 35mm DIN rail (IEC/EN 60715)								

① 1000V pollution degree 3; for higher voltages pollution degree 2.

② For GD series refer to wiring diagrams on page 14-81. DCPV1 utilisation category.

TYPE		GLD0100T2...	GLD0160T2...	GLD0200T2...	GLD0250T2...	GLD0315T2...	GLD0100T4...	GLD0160T4...	GLD0200T4...	GLD0250T4...	GLD0315T4...	
CONTACT CHARACTERISTICS												
IEC conventional free air thermal current I _{th} (≤40°C)	A	100	160	200	250	315	100	160	200	250	315	
IEC rated insulation voltage U _i	V	1000					1500					
IEC rated impulse withstand U _{imp}	kV	12					12					
IEC rated operational current I _e												
DC PV1	800V	A	100	160	200	250	315	100	160	200	250	315
	1000V	A	100	160	200	250	250	100	160	200	250	315
	1500V	A	–	–	–	–	–	100	160	200	250	315
Power dissipation	W/pole	1.1	3.2	4	6.5	11	1.1	3.2	4	6.5	11	
Mechanical life	cycles	20,000					20,000					
Terminals	mm	M8 x 20					M8 x 20					
Tightening torque	Nm	15...22					15...22					
	lb.in	132...194					132...194					
Conductor section min...max	mm ²	70...185					70...185					
	AWG/Kcmil	00...400					00...400					
AMBIENT CONDITIONS												
Temperature	Operating	°C	-25...+55					-25...+55				
	Storage	°C	-40...+70					-40...+70				
Operating		m	3000					3000				
Mounting position	Normal		Vertical					Vertical				
	Admissible		Any					Any				
Fixing		Screw or 35mm DIN rail (IEC/EN/BS 60715)					Screw or 35mm DIN rail (IEC/EN/BS 60715)					

TECHNICAL DATA ACCORDING TO UL/CSA RATINGS

TYPE		GLD0100T2...UL	GLD0200T2...UL	GLD0100T4...UL	GLD0200T4...UL	
Compliance		UL98B		UL98B		
Max operating voltage U _i	V	1000		1500		
General purpose current ratings	1000V	A	100	200	100	200
	1500V	A	–	–	100	200
Terminal kit lugs		GLDX501		GLDX501		
Minimum enclosure dimensions at rated current	mm (in)	950 x 350 x 200 (37.4 x 13.8 x 7.9)		950 x 350 x 200 (37.4 x 13.8 x 7.9)		

MOTOR PROTECTION AND CONTROL



Motor protection circuit breakers



Contactors

CONTROL AND SIGNALLING



Pushbutton and selector switches



Signal towers and beacons

CIRCUIT PROTECTION AND ISOLATION



Moulded case circuit breakers



Switch disconnectors

AUTOMATION AND CONTROL



Time relays



Monitoring relays

ENERGY MANAGEMENT



Energy meters and power analyzers



Current transformers



Motor protection relays



Electronic and electromechanical starters



Soft starters



Variable speed drives



Solid state relays

5 GROUPS

36 PRODUCT FAMILIES

21,000 CODES



Limit, micro and foot switches



Safety devices



Rotary cam switches



Power distribution blocks



Fuse holders and fuses



Miniature and residual circuit breakers



Surge protection devices



Modular contactors and other modular devices



Earth leakage relays



Level control and float switches



General purpose relays



Micro PLCs and HMI



Switching power supplies



Automatic battery chargers



Power factor controllers and thyristor modules



Automatic transfer switch controllers



Engine and generator controllers



Fire pump controllers



Communication devices



Expansion modules and accessories



Software and Apps



WHERE PRECISION MEETS ENDURANCE

100 YEARS

Lovato
electric

ENERGY AND AUTOMATION

LOVATO Electric's range of electromechanical and electronic devices are meticulously crafted and tested to ensure the utmost safety and reliability. Backed by a century of Italian precision manufacturing and expertise, our products are designed with precision and built for endurance.

With a substantial UK based stock holding and bespoke assembly, we offer fast delivery of components across mainland UK and Ireland.



01384 899700 | lovato.co.uk | sales@lovato.co.uk